

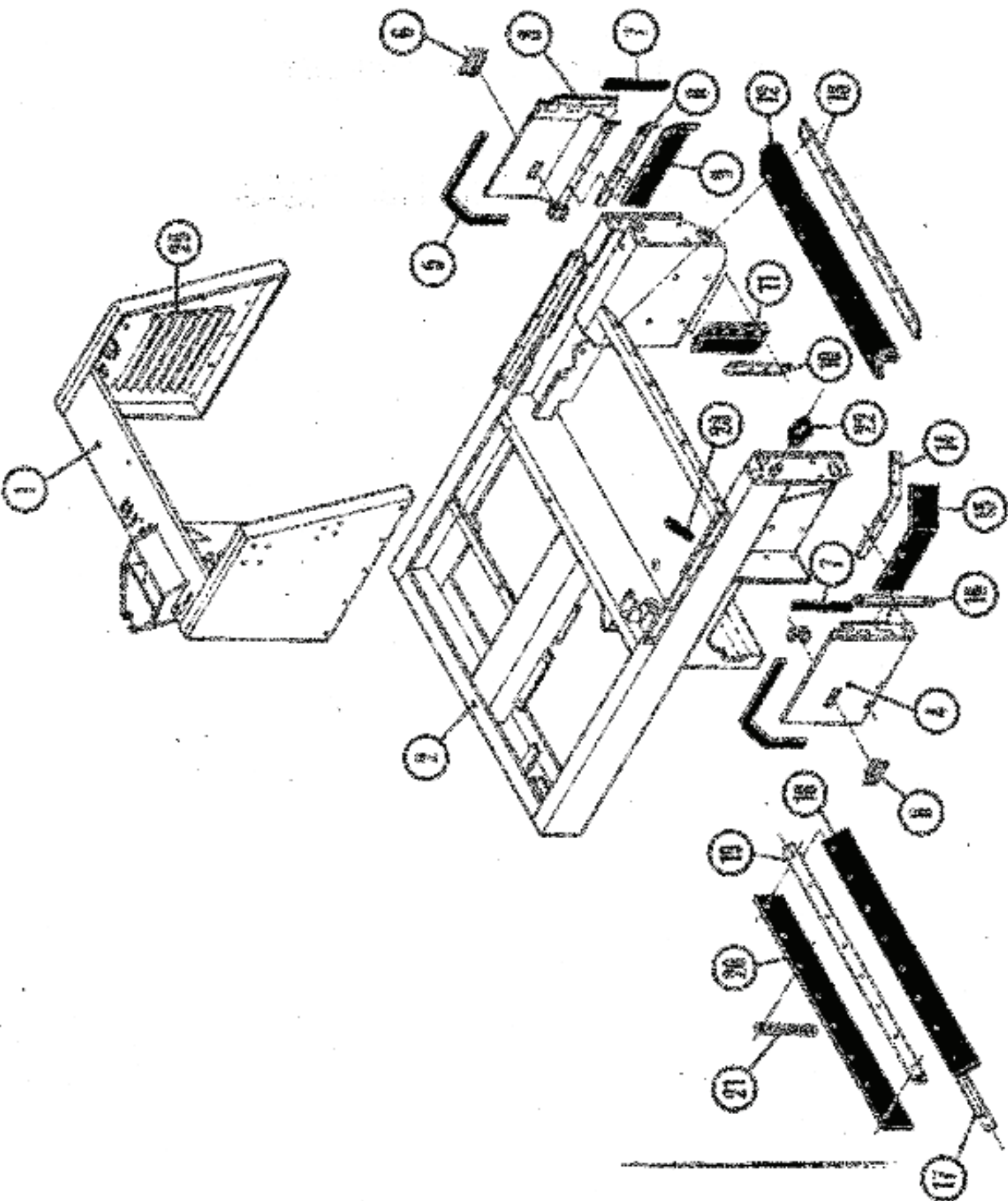
TABLE OF CONTENTS
Parts

To Order Parts and Supplies.....	H-1
Frame.....	H-3
Engine Covers.....	H-5
Nissan Engine.....	H-7
Donaldson Air Cleaner.....	H-11
Exhaust System.....	H-13
Battery.....	H-15
Instrument Panel.....	H-17
Fuel System.....	H-19
Nissan Radiators, Shrouds, and Mounts.....	H-21
Ford Radiators, Shrouds and Mounts.....	H-23
Hydraulic Reservoir.....	H-25
Hydraulic Valve.....	H-27
Directional Control.....	H-29
Cooling Coil.....	H-31
88 Series Impeller.....	H-33
78 Series Impeller.....	H-35
Main Broom.....	H-37
Side Broom.....	H-39
Hopper.....	H-41
High Dump Arm Assembly.....	H-43
Bumpers and Low Dump Arm Assembly.....	H-45
High Dump Safety Arm.....	H-47
Dollies.....	H-49
Low Dump Hopper Shutoff.....	H-51
Steering.....	H-53
Axle, Brakes and Wheel.....	H-55

TO ORDER PARTS AND SUPPLIES

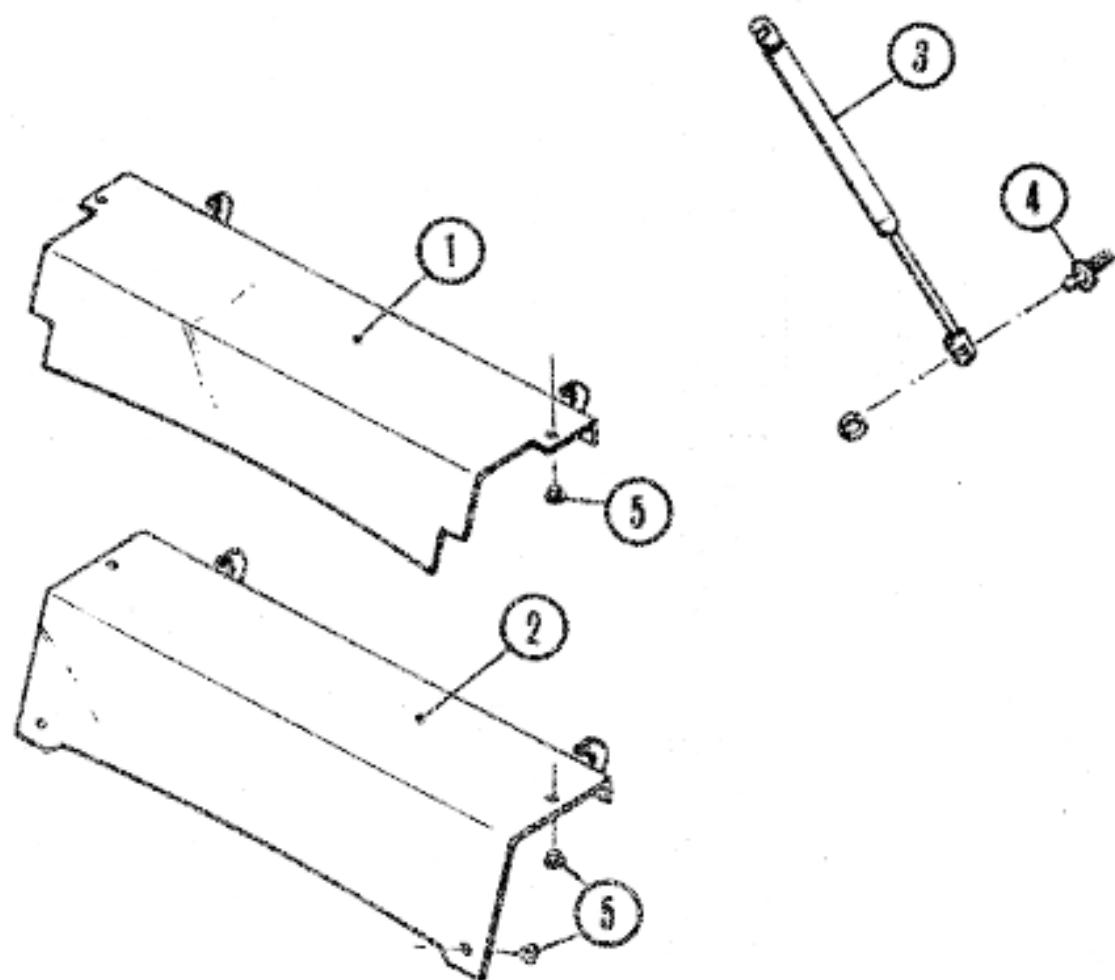
The components and parts used in your PowerBoss™ sweeper are selected for quality, performance and safety. Use only AAR Brooks & Perkins parts and supplies to repair and maintain your machine.

To order parts and supplies, contact your distributor.



FRAME

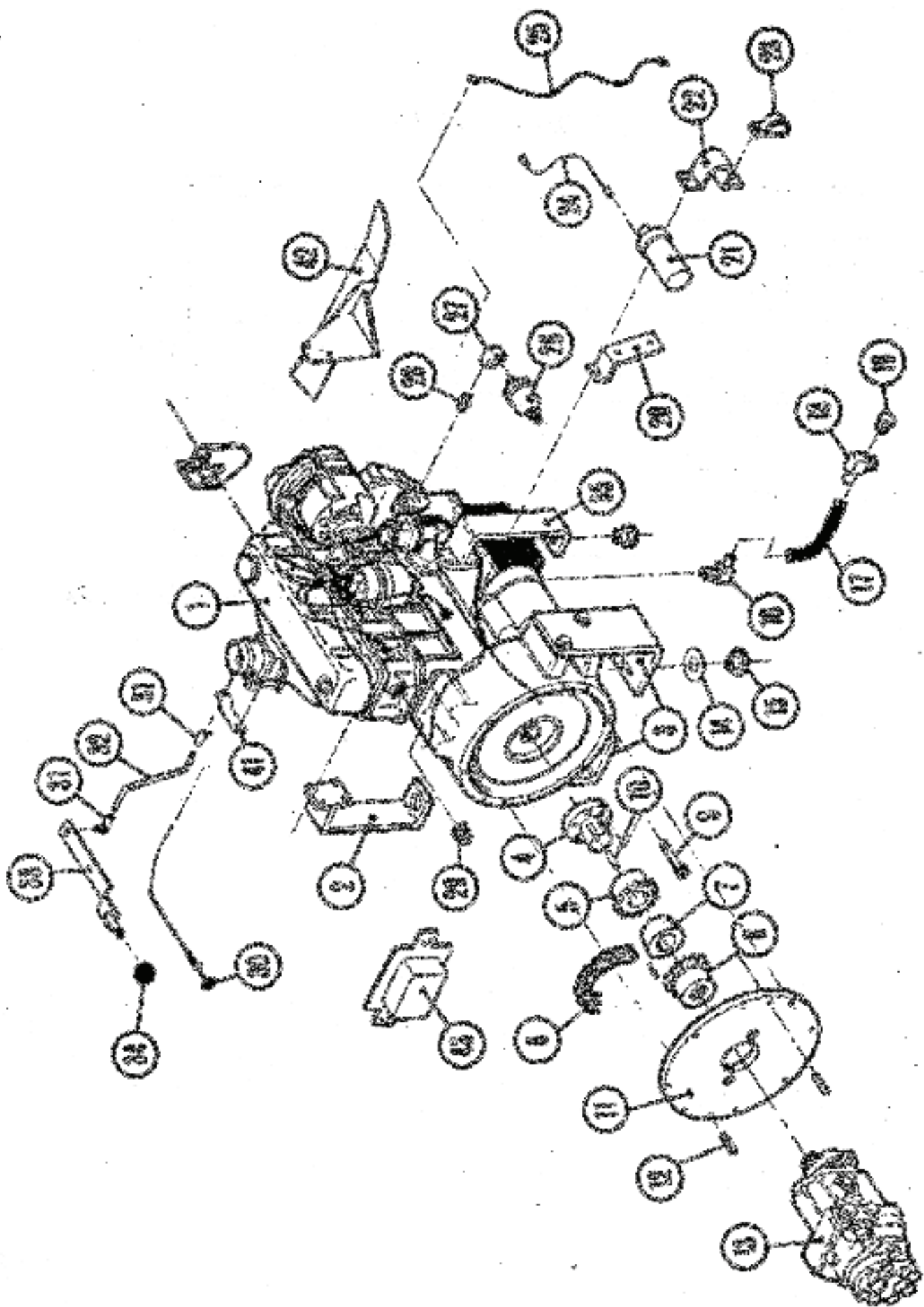
ITEM NUMBER	PART NUMBER		DESCRIPTION
	Series 38	Series 77*	
1	300269	300270	Assembly - Lintel Painted (Low Dump)
	300033	300651	Assembly - Lintel Painted (High Dump)
2	300238	300218	Assembly - Frame Painted
3	300242		Assembly - Broom Door Left (Painted)
4	300241		Assembly - Broom Door Right (Painted)
5	300340		Gasket - Main Broom Door
6	300386		Assembly - Latch
7	301488		Gasket - Broom Door Front
8	300057		Retainer - Left Hand Broom Door
9	300139		Flap - Left Broom Door
10	300150		Retainer - Seal Side Painted
11	300397		Seal - Hopper Side
12	300120	300180	Seal - Hopper Frame
13	300349	300200	Strip - Hopper Frame
14	300058		Retainer - Flap Right Painted
15	300153		Flap - Right Broom Door
16	300088		Spacer - Broom Door Painted
17	300951	300204	Strip - Skirt Painted
18	300192	300151	Skirt - Inner
19	301020	301016	Angle - Skirt Painted
20	300191	300179	Skirt - Outer
21	301648		Chain - Grounding
22	301188		Edging - Curb Broom
23	301183		Edging Frame Right Side
24	300190		Gasket - Hopper Air Outlet (Not Shown)
25	301497		Assembly Basket Mount LD (Not Shown)
26	303130		Assembly - Radiator Grille - Prod



ENGINE COVERS

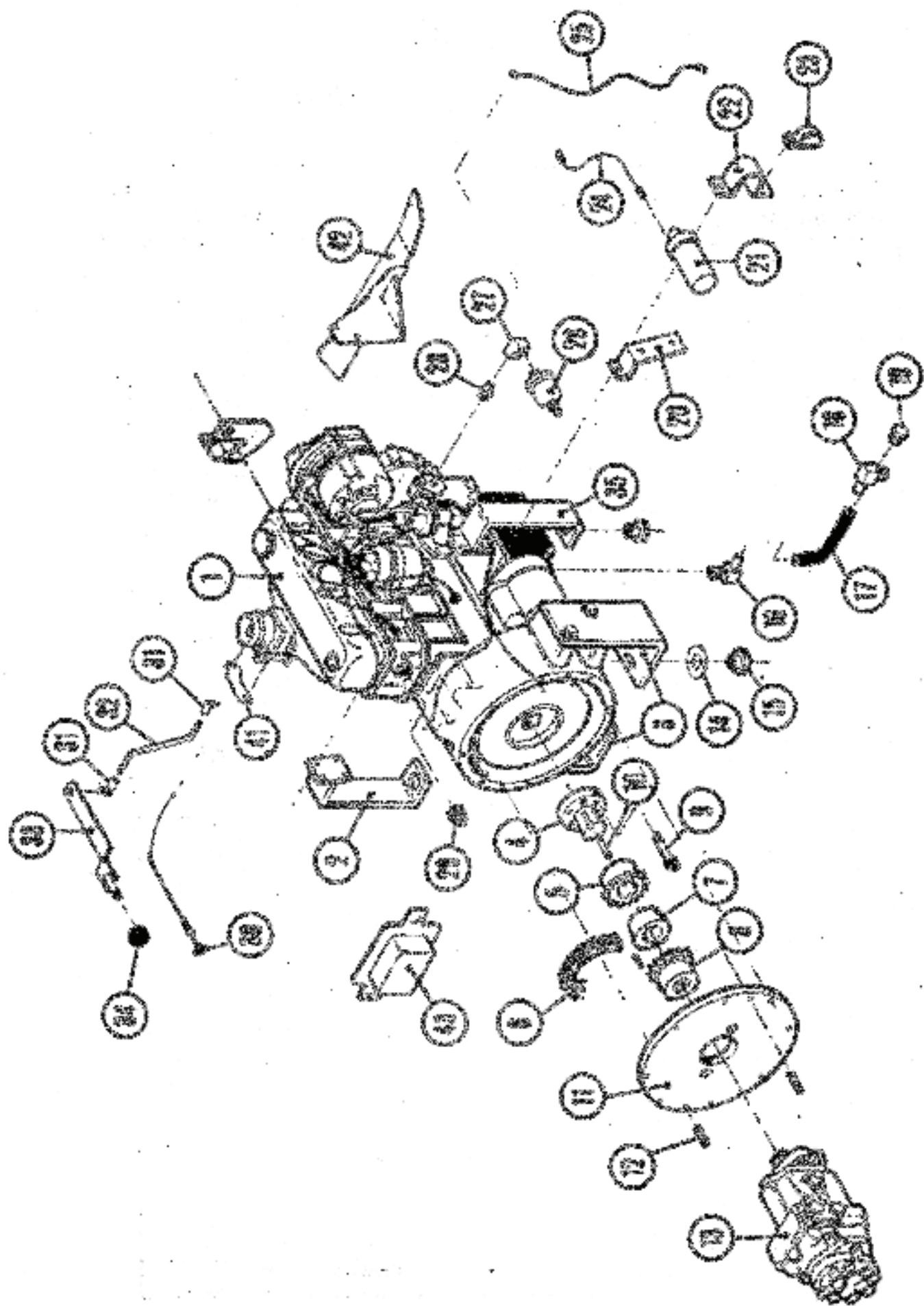
ITEM NUMBER	PART NUMBER		DESCRIPTION
	Series 88	Series 78*	
1	301211	301505	Assembly - Engine Cover HD Pntd
2	300992	301502	Assembly - Engine Cover LD Pntd
3	300375		Gas Spring - Cover
4	300376		Stud-Ball Gas Spring
5	300526		Bumper - Rubber Engine Cover

*When no number appears in this column, the parts number for the 78 Series is the same as that for the 88 Series.



NISSAN ENGINE

ITEM NUMBER	PART NUMBER		DESCRIPTION
	Series 85	Series 75'	
1	301873 301869		Engine - Nissan A12 Engine - Nissan A15
2	301324		Mount - Engine Side Nissan
3	301323		Mount - Engine Rear Nissan
4	301285		Adaptor - Pump Drive Nissan
5,6,7,8	302855		Assembly - Drive Sprocket Complete
9	400014		Screw - Socket Head Cap
10	301718		Key - 1/4 Sq x .98
11	300679		Assembly - Pump Mounting
12	400191		Pin Roll 5/16 x 1.00
13	300423	303712	Assembly - Pump
14	400001		Washer - Fender 1/2
15	300484		Mount - Isolation
16	400199		Fitting - 90 El - 1/2 Tube to 3/8 NPT
17	301718		Hose - Oil Drain
18	400199		Fitting - 90 El 1/2 Tube to 3/8 NPT
19	400194		Fitting - Pipe Plug 3/8 NPT - Socket
20	301369		Bracket - Coil Mount Nissan
21	302294		Coil Nissan
22	302117		Coil Mount Nissan
23	301158		Clamp - Cable 3/4
24	301364		Assembly - Wiring Harness Coil
25	301362		Assembly - Wiring Harness Engine Ground
26	300387		Sender Oil Pressure
27	301718		Fitting nipple 1/8 NPT
28	301720		Fitting 90 El 1/8 NPT
29	301441		Sender - Temp Nissan
30	301424		Cable - Choke Nissan IND



ADJUSTER-HERMAN ROVERSON	301701 12120-12100
ALTERNATOR (MITSUBISHI)	302323 22100-14-0700
ALTERNATOR (MITSUBISHI)	302324 22100-14-0150
ASBY-PISTON SET (STARTER)	302042 22100-12010
ASBY-PISTON SET	302032
ASBY-CLUTCH GEAR-STARTER	302033 22112-10011
ASBY-SOLDER (POINTS)	302034 22110-10010
ASBY-LOOSE BLOCK	302035 22100-10010
BAND KIT - CAM (CONVERSION)	302036 12111-10010
BAR ADJUST (ALTERNATOR)	302037 11710-10010
BEARING SET (MAIN BEARINGS) STD	302038 12207-10700 011 11100
BEARING SET-MAIN (35 UNDER SIZE)	302039 12207-11100
BELT-ALTERNATOR	302730 NAPA 22-20000
BOLT-CYL HEAD	302030 11000-11-1000
BOLT-CYL HEAD TO CR. VALVE	302047 11007-11-0100
BUSHING SET-CAMSHAFT (STD)	302037 10002-11000
BUSHING-GENERATING ROD (.01 OVERSIZED)	302040 12111-10000
BUSHING-CORRECTING ROD (STD)	302039 12111-10010
BUSHING-STARTER	302041 22110-10010
CAP-DISTRIBUTOR	302100 22102-06000
CAP-DISTRIBUTOR (MITSUBISHI)	302032 22102-71010
CAP-OIL FILL	302030 11000-10000
CARBURETOR-GAZ	302270 10010 K-1000
CARBURETOR-LPG	302030 110-05-000
CARBURETOR-LPG	302075 CA-00-000
CAM-CAMSHAFT	302030 10002-10001
CYL-KNIGHT	302254 22100-11100
CYL-LET-VALVE	302034 10210-10100
CONDENSER (MITSUBISHI REFRIGERATOR)	302030 22100-71010
CONDENSER-STARTER	302124 22100-01100
CRACK-OIL	302030 11000-10000
DISTRIBUTOR-COMPLT (MITSUBISHI)	302400 12100 100011 0-1010
DISTRIBUTOR-COMPLT (MITSUBISHI)	302030 22100-10010-101001
ENGINE-COMPLT	301200 10100-10100
FAN-ENGINE	302100 21000-1-0100
FAN-ENGINE (STARTER)	302030 11000-10000
FILTER-OIL	302034 10000-11-10000-0210
FLOAT-CARBURETOR	302030
FLYWHEEL-BEARING-GEAR	302030 10210-10000
FUEL PUMP	302200 11010 H-0100000
GASKET-THERMOSTAT	302030 11010 10000
GASKET-VALVE COVER	302200 10010 H-1000
GASKET-CARBURETOR	302107 10100-1 1001
GASKET-CYL HEAD	302030 A12 11004 H-0001
GASKET-EXHAUST (DOUBLE)	302030 01000
GASKET-EXHAUST MANIFOLD	302037 A12 11000 10000
GASKET-CONVERSION	302030 11000-1-0100
GASKET-INTAKE TO EXHAUST MANIFOLD	302030 11000-10000
GASKET-OIL PAN	302034 11100-11000
GASKET-OIL PUMP TO BLOCK	302030 11000-11000
GASKET-OIL PUMP VALVE BODY	302030 11000-10000
GASKET-WATER PUMP	302034 11010-11000
BOUFRACK	302030 A12 11000 K-0000



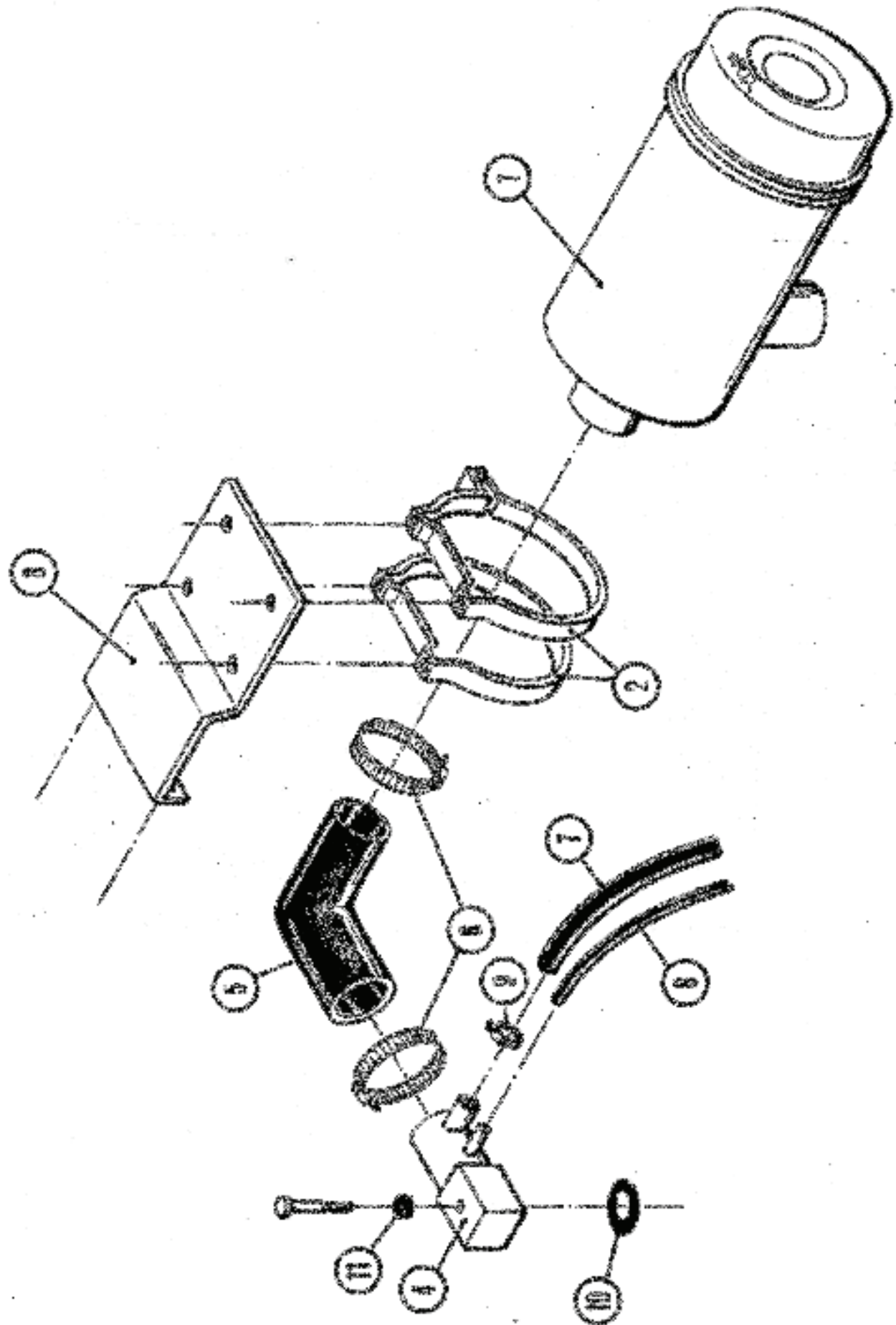
WISCONSIN A-12
WISCONSIN A-12

WISCONSIN A-12
WISCONSIN A-12

NISSAN ENGINE (cont.)

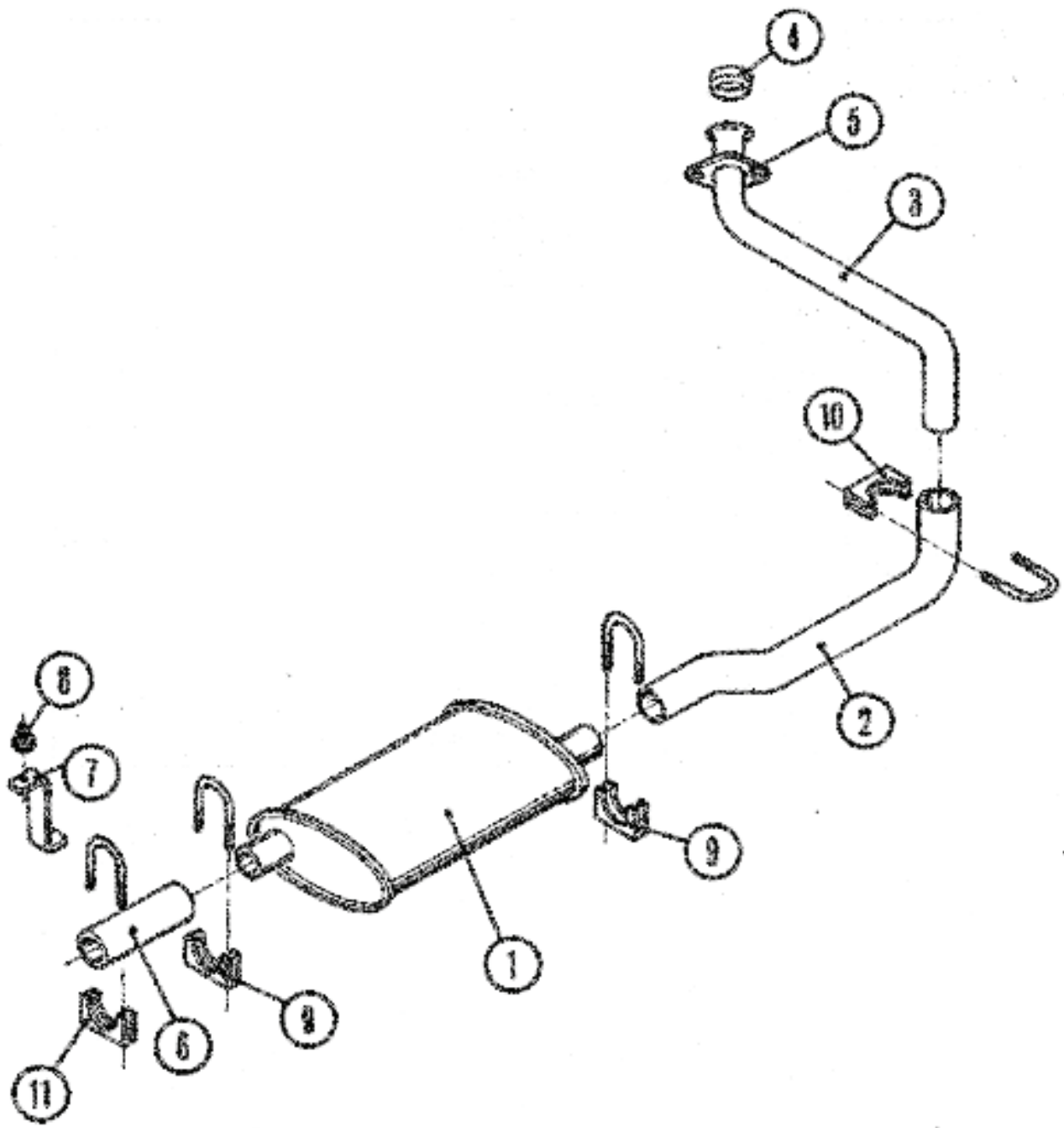
ITEM NUMBER	PART NUMBER		DESCRIPTION
	Series 66	Series 78*	
31	301199		Assembly - Ball Joint - 1/4
32	301395		Rod - Throttle Nissan
33	301486		Assembly - Throttle Lever Nissan
34	300583		Knob
35	301431		Assembly - Engine Mount Front Nissan
36	302292		Regulator - Voltage Nissan (Not Shown)
37	302293		Resistor Ballast Nissan (Not Shown)
38	302296		Fan - Nissan (Not Shown)
39	302121		Special Fan - Nissan (Not Shown)
40	302381		Kit - Tune Up Nissan (Not Shown)
41	301450		Throttle Arm
42	302167		Assembly - Hose Guard
43	302292		Voltage Regulator - Nissan

*When no numbers appear in this column, the parts number for the 78 Series is the same as that for the 66 Series.



DONALDSON AIR CLEANER

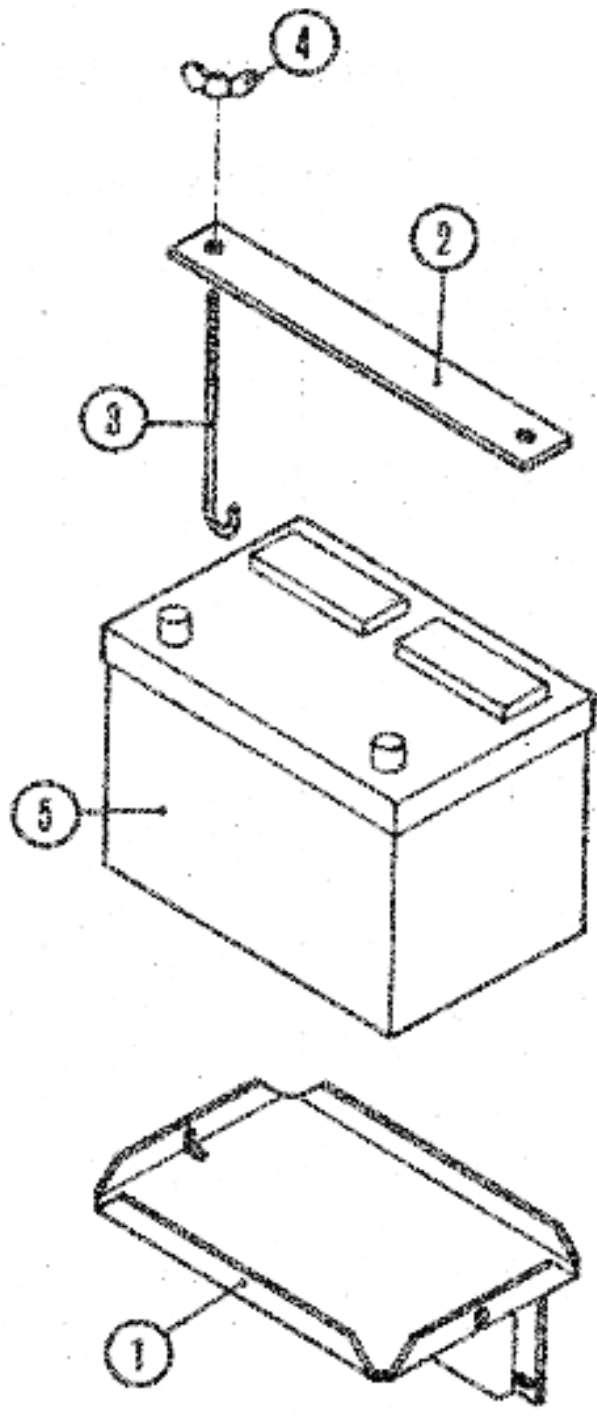
ITEM NUMBER	PART NUMBER	DESCRIPTION
1	500395	Air Cleaner - Donaldson
2	300459	Band - Myr Air Cleaner
3	500401	Mini HD Air Cleaner
4	300475	Assembly - Air Cleaner Mini & Messin Gas
5	300300	Adrop - 90° El Rubber
6	500336	Clamp - Hose 2 1/2" NCM
7	301714	Hose - Crankcase Vent
8	301715	Hose - Vac Line Gov
9	302144	Clamp - Hose 1/2" NCM
10	302479	O-Ring - Carb
11	302248	Spacer - Nylon 1/4" ID x 1/4" Thick



EXHAUST SYSTEM

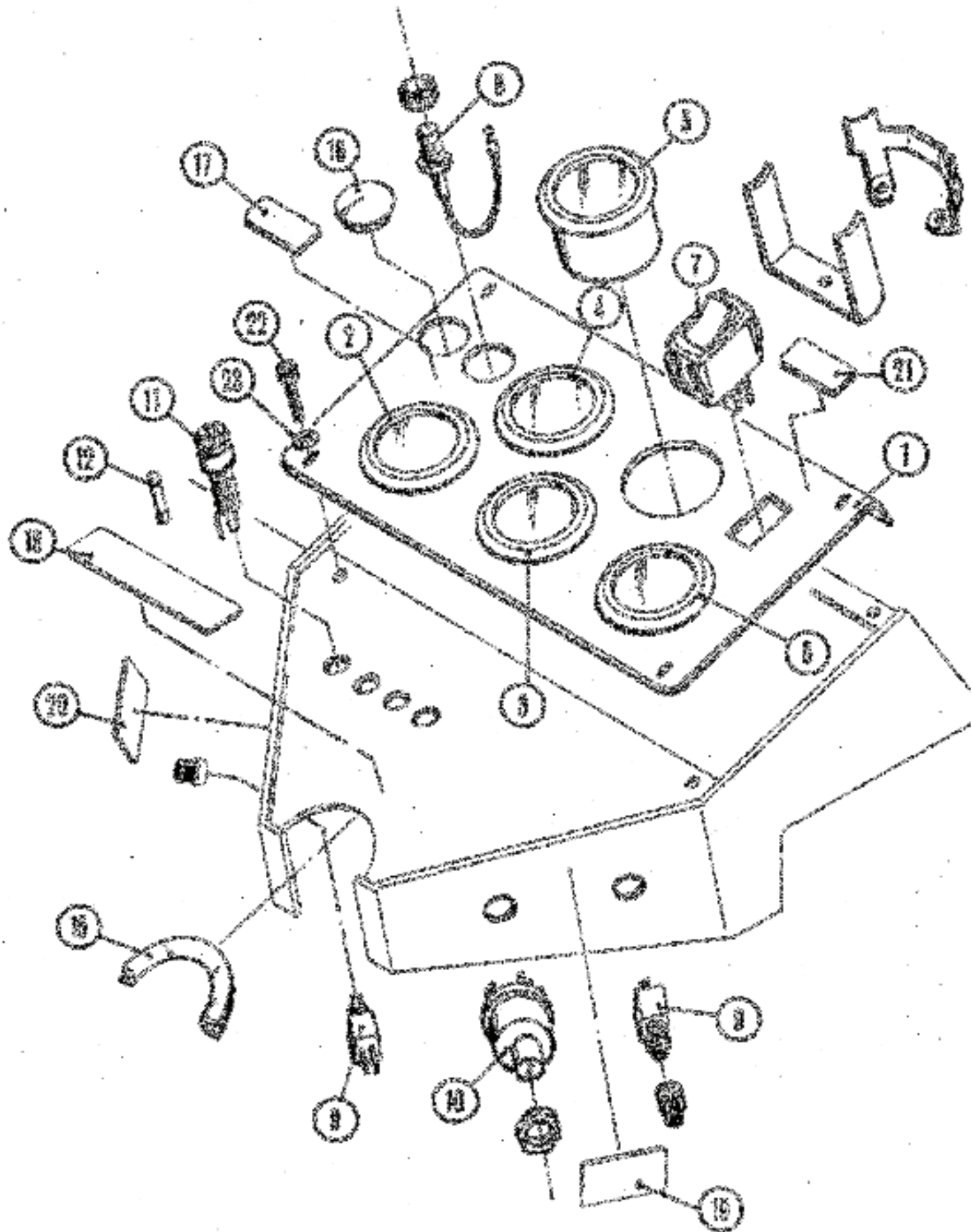
ITEM NUMBER	PART NUMBER		DESCRIPTION
	Series 48	Series 78*	
1	300530		Muffler
2	301371	302466	Tube - Exhaust Intermediate
3	301369	302467	Tube - Exhaust Manifold Nissan
4	301583		Doughnut - Exhaust Nissan
5	301588		Collar Exhaust Nissan
6	300530		Tube Exhaust Tail
7	300944		Support - Muffler
8	300465		Mount Insulation
9	301640		Clamp Exhaust 1 3/4
10	303118		Clamp Exhaust
11	300540		Clamp Exhaust

*When no number appears in this column, the parts number for the 78 Series is the same as that for the 88 Series.



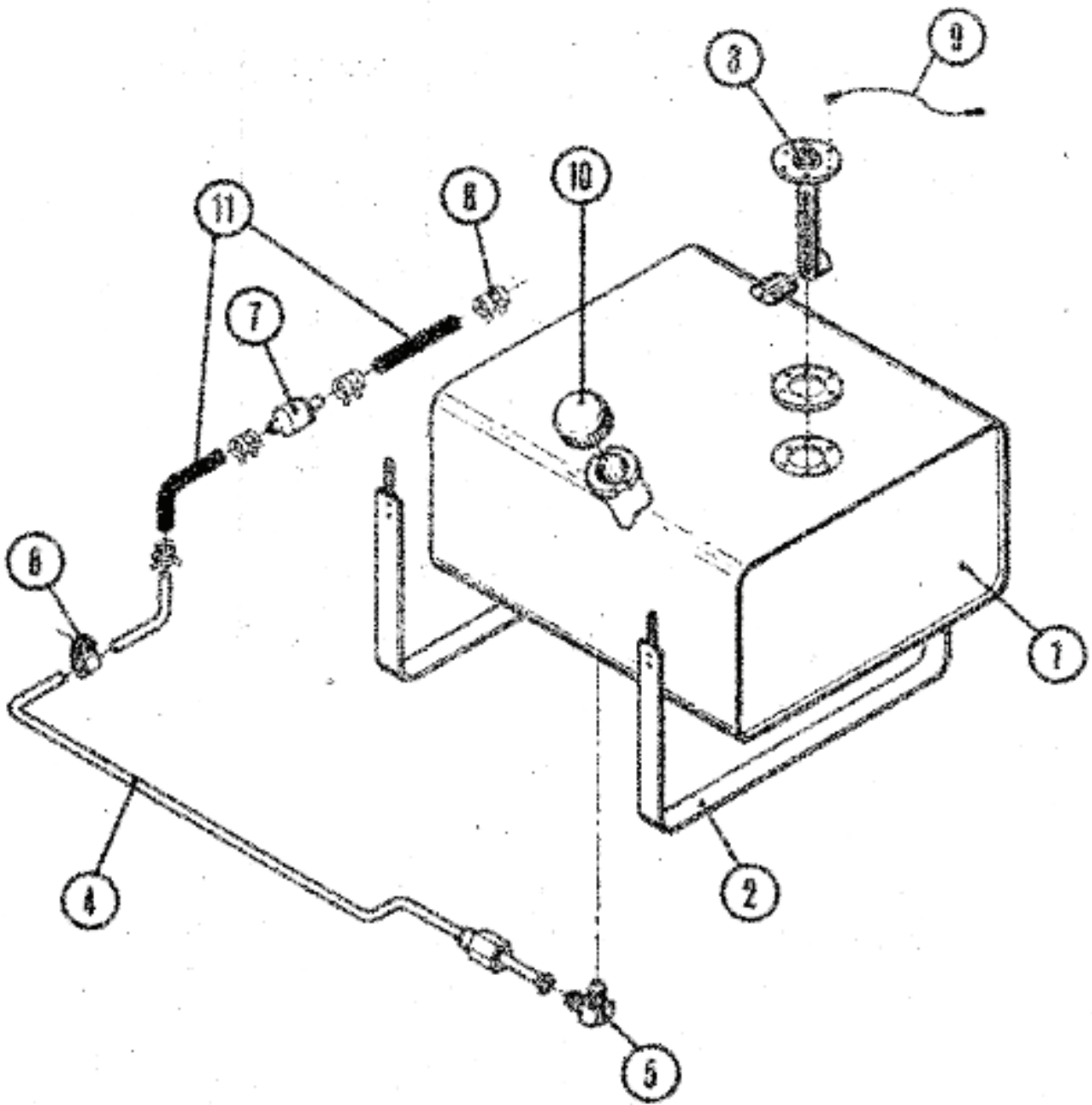
BATTERY

ITEM NUMBER	PART NUMBER	DESCRIPTION
1	300210	Assembly - Battery Mount
2	301076	Hold Down - Battery
3	301079	Rod - Battery Tie Down
4	400085	Nut - Wing 1/4 - 20
5	300440 300448	Battery Gas Engine Battery Diesel Engine
6	301384	Assembly - Battery Cable Positive (Not Shown)
7	301385	Assembly - Battery Cable Negative (Not Shown)



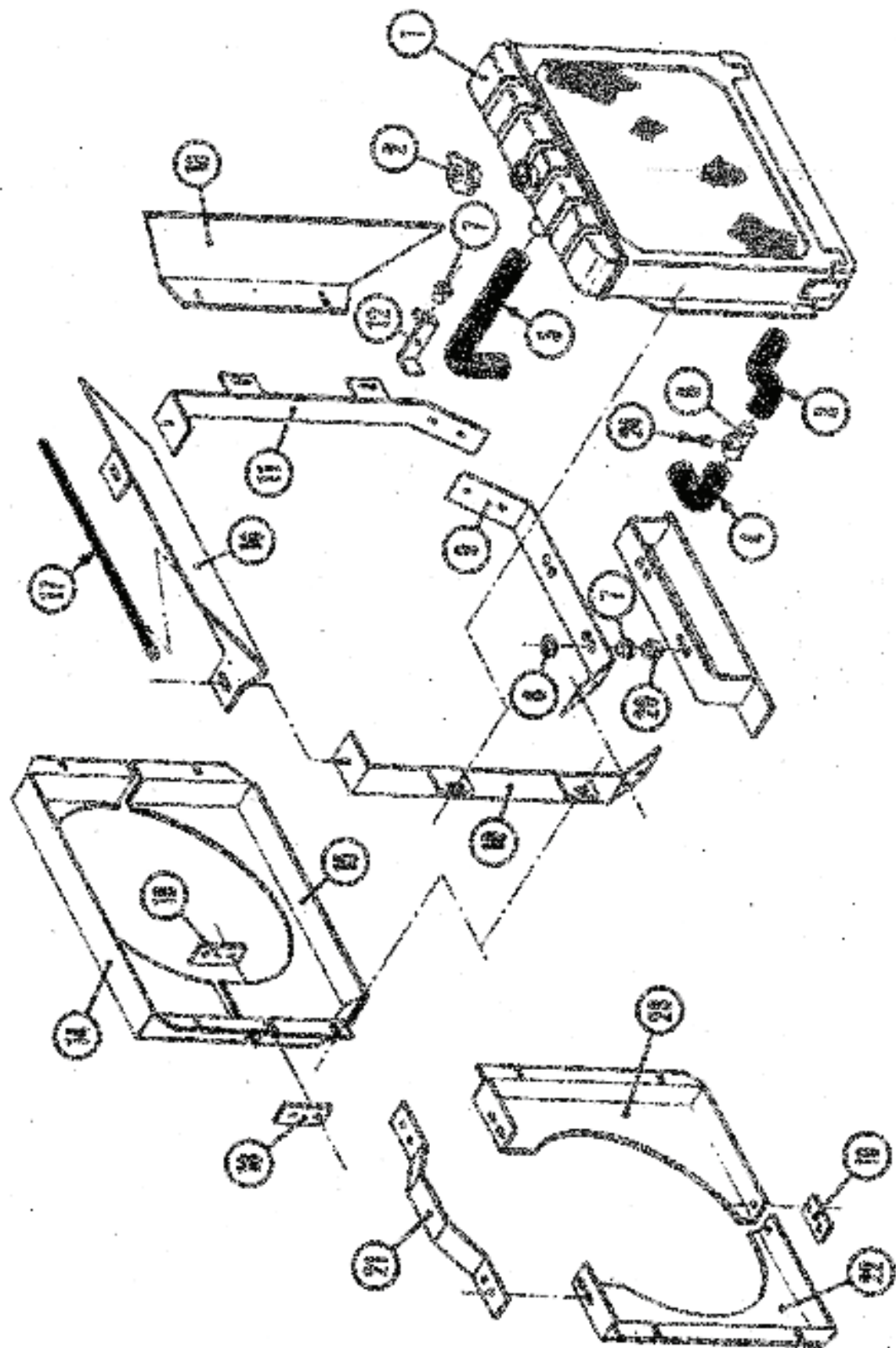
INSTRUMENT PANEL

ITEM NUMBER	PART NUMBER	DESCRIPTION
1	300350	Panel - Instrument Panel
2	300381	Gauge - Ammeter
3	300382	Gauge - Fuel
4	300383	Gauge - Oil Pressure
5	300384	Gauge - Water Temperature
6	300385	Gauge - Hour Meter
7	300442	Switch - Floor Lights
8	301553	Light - Trash Helocolor
9	300441	Switch - Momentary
10	300443	Switch - Ignition
11	300444	Fuse Holder
12	300445	Fuse - 30 Amp
13	300446	Fuse - 15 Amp (Not Shown)
14	300447	Fuse - 20 Amp (Not Shown)
15	301185	Ertying - Steering Column
16	301889	Plug - Instrument Panel
17	302517	Decal - RTR Lights
18	302522	Decal - Fuse
19	302525	Decal - Horn
20	302530	Decal - Filter Shaker
21	302524	Decal - Light Opt
22	400048	SCR - SCH #10 - 32 x .75
23	400104	Washer - Lock #10 SPLIT



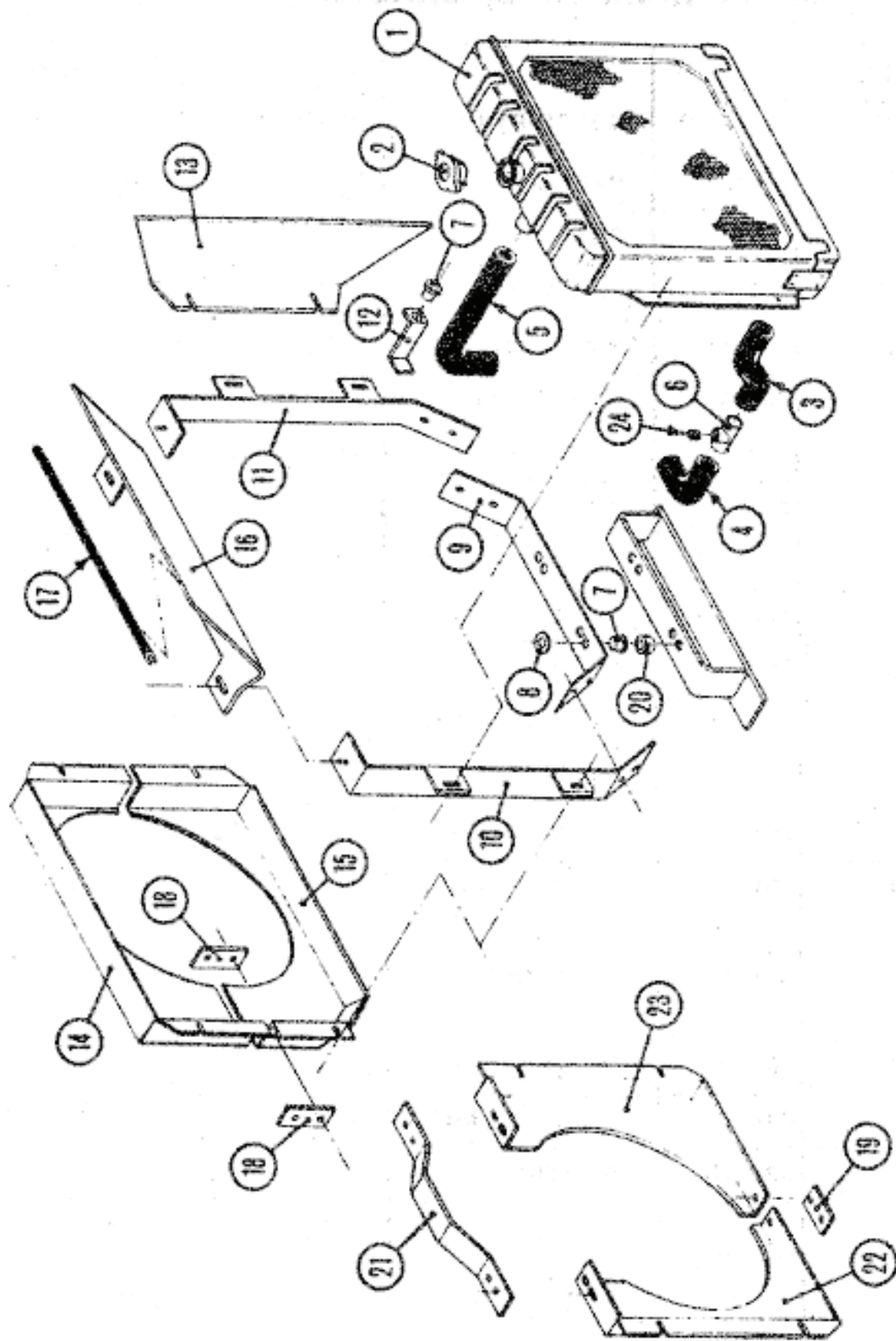
FUEL SYSTEM

ITEM NUMBER	PART NUMBER	DESCRIPTION
1	301023	Assembly - Tank Fuel
2	300757	Assembly Strap Fuel Tank
3	300388	Assembly - Fuel Sender
4	301581	Assembly - Fuel Line
5	400183	Filling - Gasoline
6	301558	Clamp - Fuel Line
7	300417	Filter - Fuel (Not on Diesel)
8	302338	Clamp (Not on Diesel)
9	301363	Wire - Ground
10	300393	Cap - Gas Tank
11	302085	Hose (SP) (Not on Diesel)



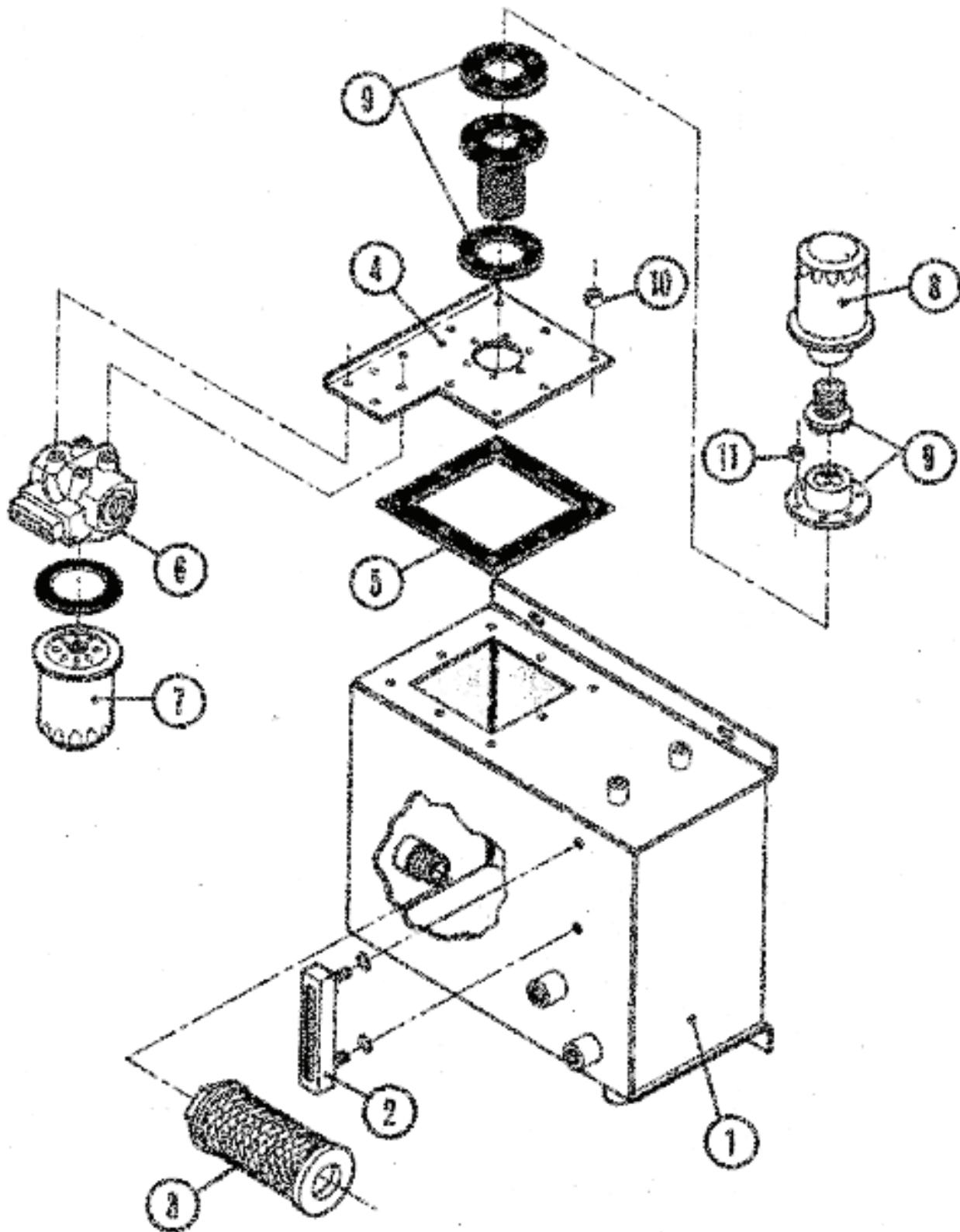
NISSAN RADIATORS, SHROUDS, AND MOUNTS

NISSAN ITEM NUMBER	PART NUMBER	DESCRIPTION	NISSAN ME (88 MODELS ONLY)	
			PART NUMBER	DESCRIPTION
1	302101	Rad- 3 Core	301995	Radi- Heavy Duty
2	300420	Cap	300420	Cap
3	300534	Hose - Rad Lower	300534	Hose - Rad Lower
4	303115	Hose - 90° El	303115	Hose - 90° El
5	300533	Hose - Rad Upper	300533	Hose - Rad Upper
6	302457	Assy - Coolant Tap	302457	Assy - Coolant Tap
7	300465	Mount - Isolation	300465	Mount - Isolation
8	400092	Washer - Fender	400092	Washer - Fender
9	302110	Brckt- Lower Rad Mnt	302173	Assy - ME Rad Mnt
10	302112	Assy - Rad Mnt Front	-----	-----
11	302114	Assy - Rad Mnt Rear	-----	-----
12	300693	Mount - Rad	302173	Bracket - Rad
13	301815	Deflector - Side Rad	302177	Deflector - Side Rad
14	301404	Shroud - Fan Top	302181	Shroud - Rad Top and Bottom
15	301407	Shroud Fan Btm	302181	Shroud - Rad Top and Bottom
16	301813	Dlct- Air Top - Rad	302179	Deflector - Air Top Rad
17	301563	Edging - Dlct Rad Top	301835	Edging - Dlct Rad
18	301264	Plate Fan Shroud	301264	Plate Fan Shroud
19	-----	-----	-----	-----
20	-----	-----	-----	-----
21	-----	-----	-----	-----
22	-----	-----	-----	-----
23	-----	-----	-----	-----
24	400258	Fitting - Plug 1/4 NPT	400258	Fitting - Plug 1/4 NPT



FORD RADIATORS, SHROUDS, AND MOUNTS

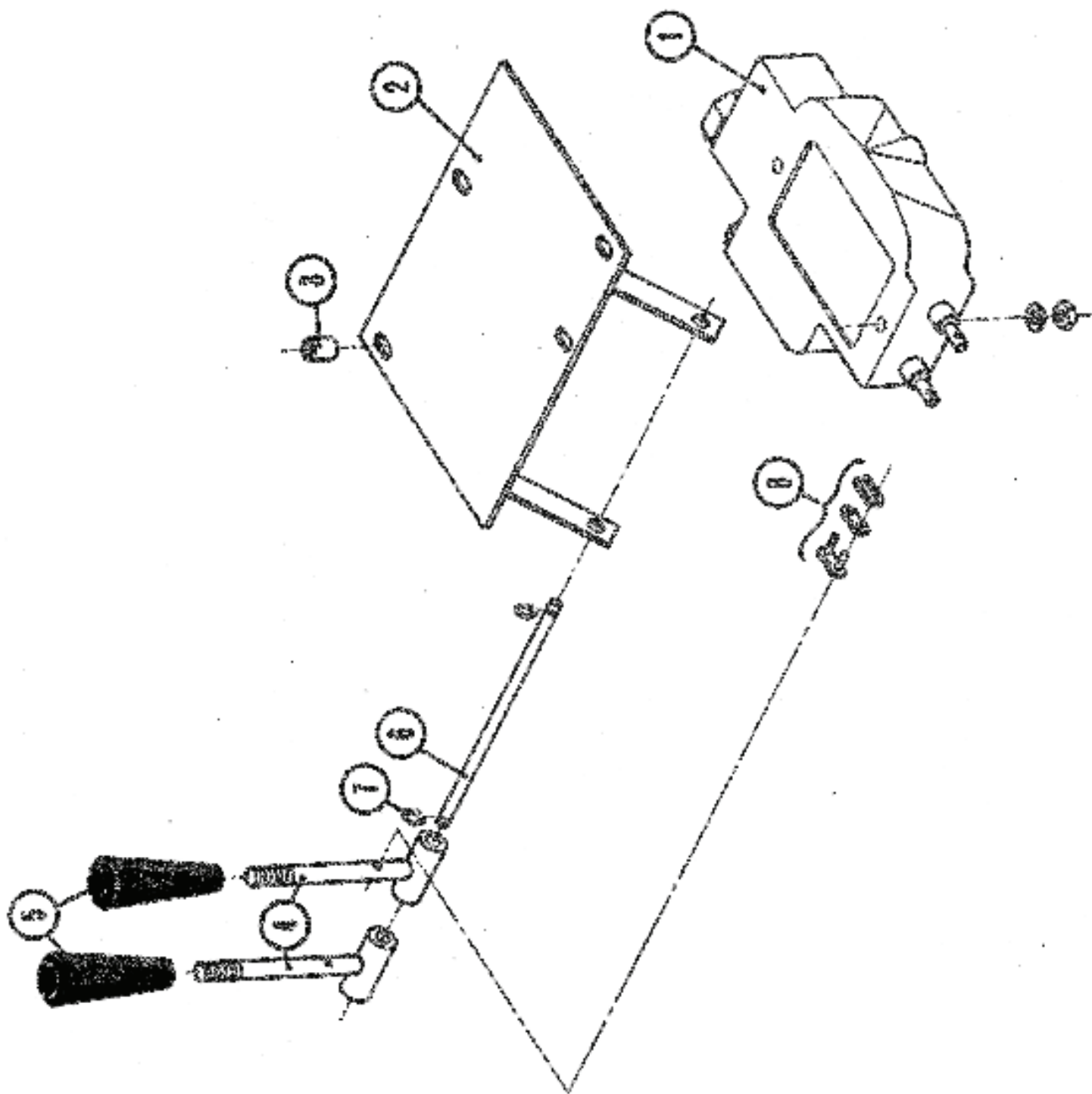
FORD ITEM NUMBER	PART NUMBER	DESCRIPTION	FORD ME (98 MODELS ONLY)	
			PART NUMBER	DESCRIPTION
1	302101	Rad - 3 core	301905	Rad - Heavy Duty
2	300420	Cap	300420	Cap
3	300533	Hose - Rad Upper	300533	Hose - Rad Upper
4	303125	Hose - Rad Lower	303125	Hose - Rad Upper
5	300533	Hose - Rad - Upper	303126	Hose - Rad - Upper
6	302457	Asy - Coolant Tap	302457	Asy - Coolant Tap
7	300485	Mount - Isolation	300485	Mount - Isolation
8	400092	Washer - Fender	400092	Washer - Fender
9	302110	Brckt - Lower Rad Mt	302173	Asy - Rad Mount
10	302112	Asy - Rad Mt Front
11	302114	Asy - Rad Mt Rear
12	300233	Brckt - Rad	300233	Bracket - Rad
13	302115	Deflector - Side Rad	302177	Deflector - Side Rad
14	303076	Asy Shrd Rad Top and Bottom
15	303070	Asy Shrd Rad Top and Bottom
16	301513	Deflector - Air Top Rad	303178	Deflector - Air Rad
17	301563	Edging - Upper Rad Top	302105	Edging - Deflector Rad
18	301284	Plate Fan Shroud	302946	Plate - Fan Shroud
19	301284	Plate Fan Shroud
20	302053	Spacer - Rad Mt
21	301958	Strap - Rad Shroud
22	301958	Shroud - Fan Front
23	301960	Shroud - Fan Rear
24	400258	Pinng - Plug 1/4 NPT	400258	Pinng - Plug 1/4 NPT



HYDRAULIC RESERVOIR

ITEM NUMBER	PART NUMBER		DESCRIPTION
	Series 88	Series 78	
1	300001		Assembly - Reservoir Hydraulic
2	300366		Gage - Level Hydraulic Reservoir
3	300360		Strainer - Hydraulic Reservoir
4	300020	302372	Cover - Reservoir
5	300007		Gasket - Hydraulic Reservoir
6	300358		Assembly - Hydraulic Filter
7	300359		Filter Hydraulic
8	300059		Breather - Filter
9	300378		Assembly - Filter/Breather
10	302049		Spacer - Nylon
11	302049		Spacer - Nylon

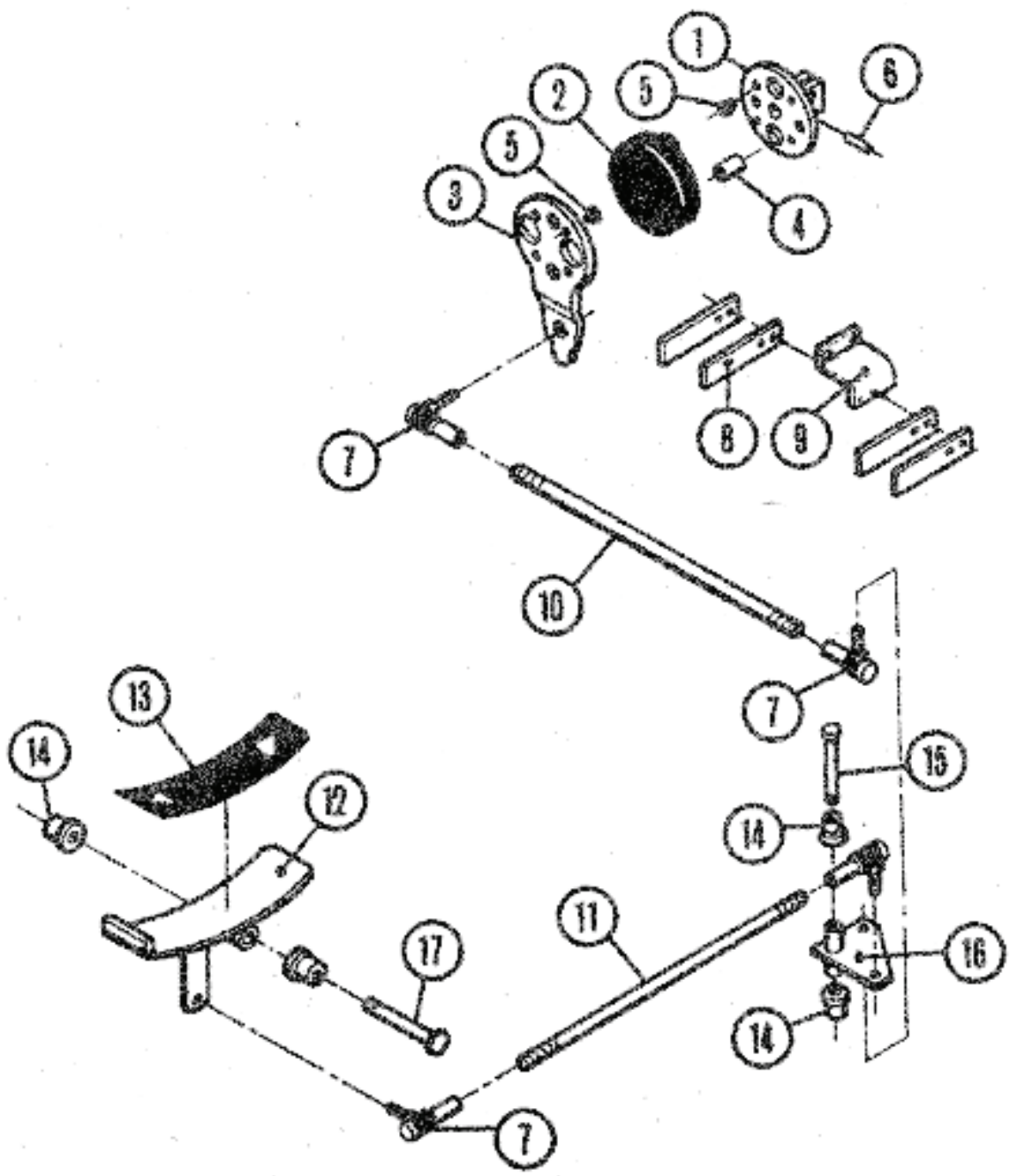
*When no number appears in this column, the part number for the 78 Series is the same as that for the 88 Series.



HYDRAULIC VALVE

ITEM NUMBER	PART NUMBER	DESCRIPTION
1	300357 300356	Assembly - Hydraulic Valve All SW High Dump Units 3-Spool All SW Low Dump Units 2-Spool
2	300749	Assembly - Mount Valve
3	300688	Spacer - Control Valve
4	300070	Assembly - Lever
5	300536	Knob - Main Broom, Curb Broom, Scumagee
6	300684	Rod - Pilot Control Valve
7	300547	Assembly - Connecting Link

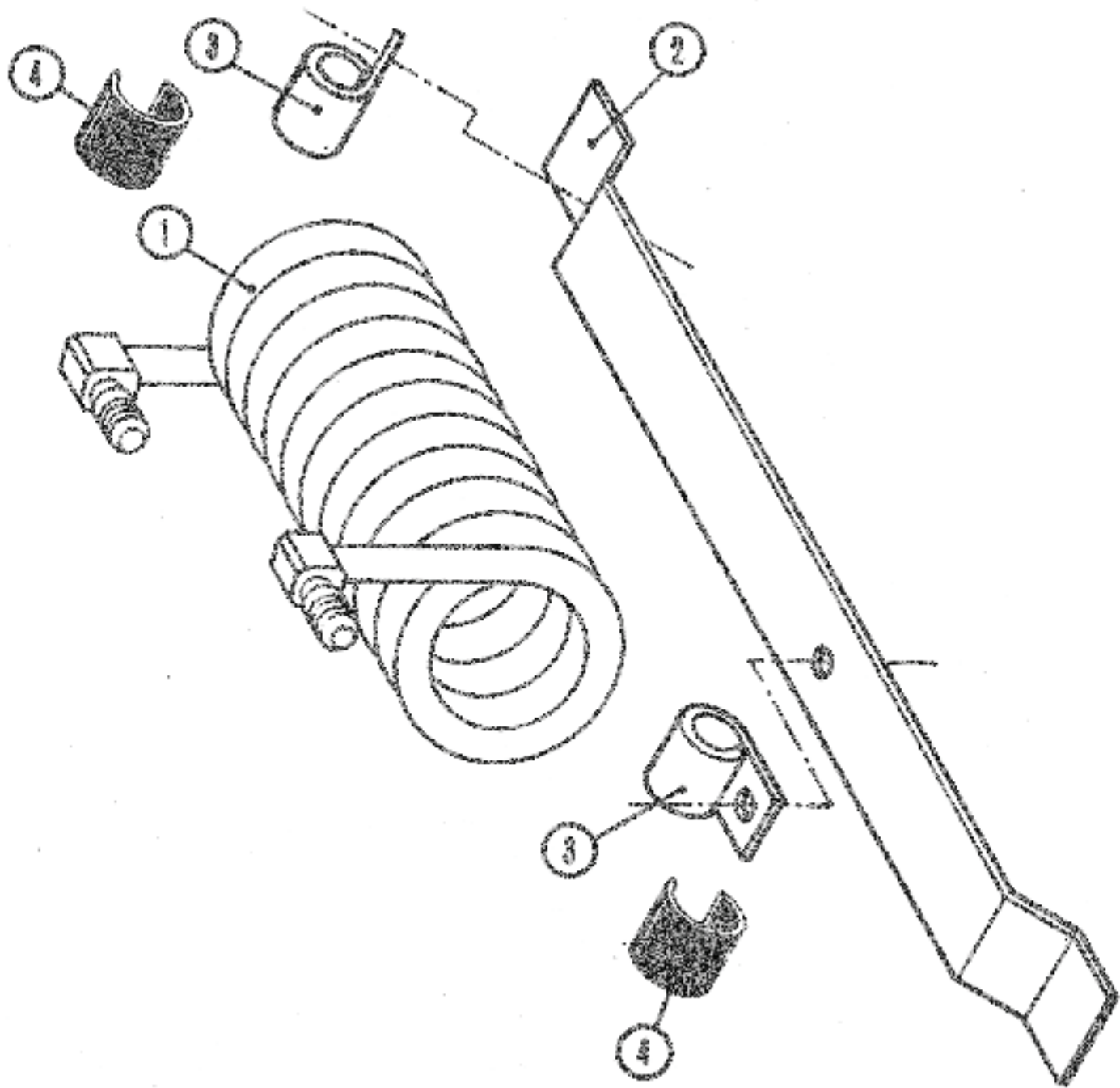
REAR DRIVE SHAFT



DIRECTIONAL CONTROL

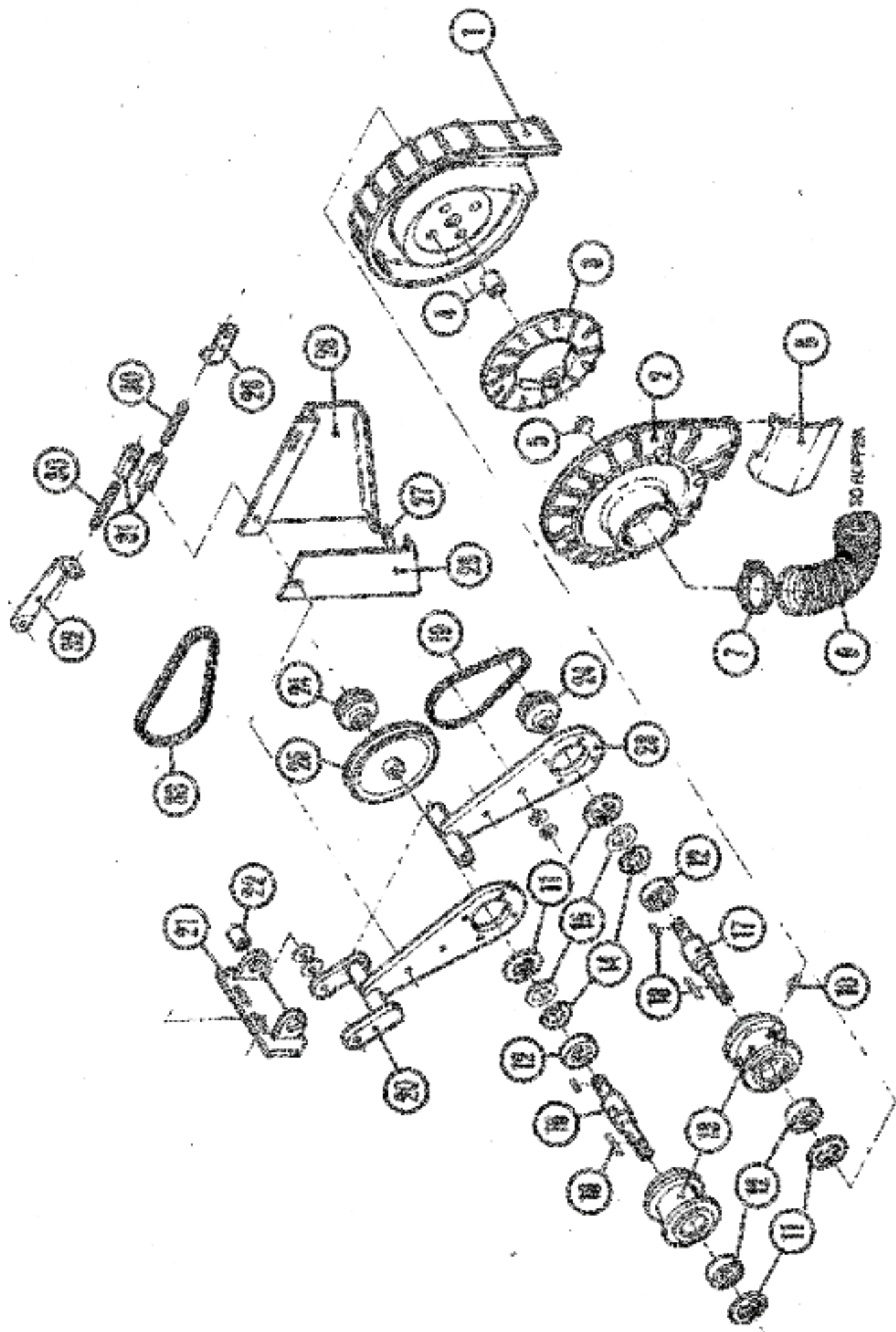
ITEM NUMBER	PART NUMBER		DESCRIPTION
	Series 88	Series 78*	
1	301544		Assembly - Disc Fwd/Rev
2	301507		Coupling Ring
3	301542		Arm - Fwd/Rev
4	300359		Steers, Squeeges Fwd/Rev
5	300529		Bumper - Rubber Engine Cover
6	400127		Pin - Roll 1/4 x 1.50
7	300491		Assembly - Ball Joint 3/8
8	300543		Spring - Return Directional Control
9	300672		Bracket - Adjustment Fwd/Rev
10	300030	302257	Red - Fwd/Rev
11	300029		Red - Fwd/Rev
12	300737		Assembly - Pedal Fwd/Rev
13	300544		Pad - Foot Pedal
14	300414		Bushing Plastic Main Broom
15	400115		Pin - Clevis 3/8 x 3.00
16	300053		Assembly - Arm Intermediate
17	400114		Pin - Clevis 3/8 x 4.00

*When no number appears in this column, the parts number for the 78 Series is the same as that for the 88 Series.



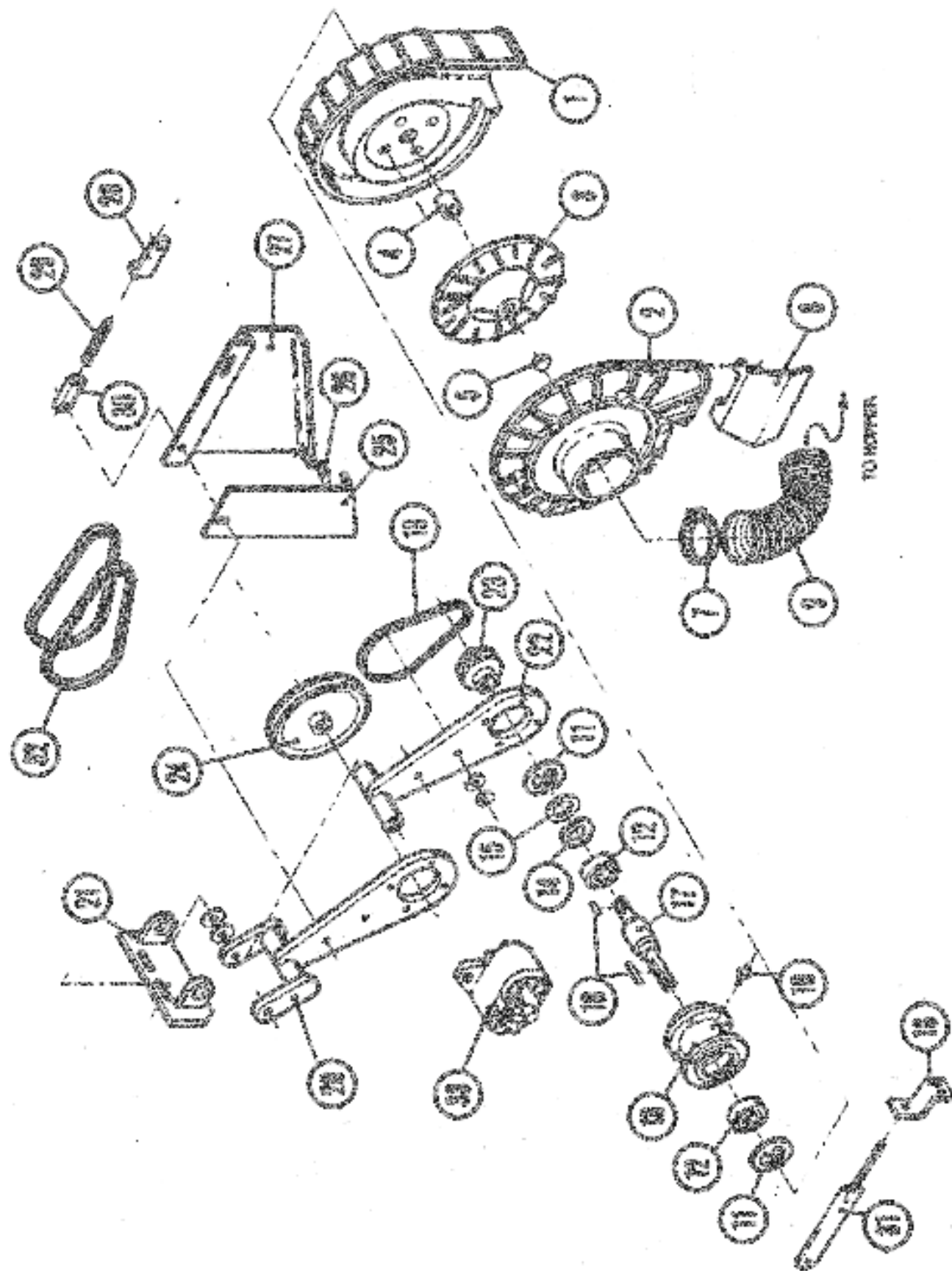
COOLING COIL

ITEM NUMBER	PART NUMBER	DESCRIPTION
1	300541	Coil Cooling
2	300906	Mount Cooling Coil
3	301158	Clamp - Cable 24
4	301337	Retainer - Rubber



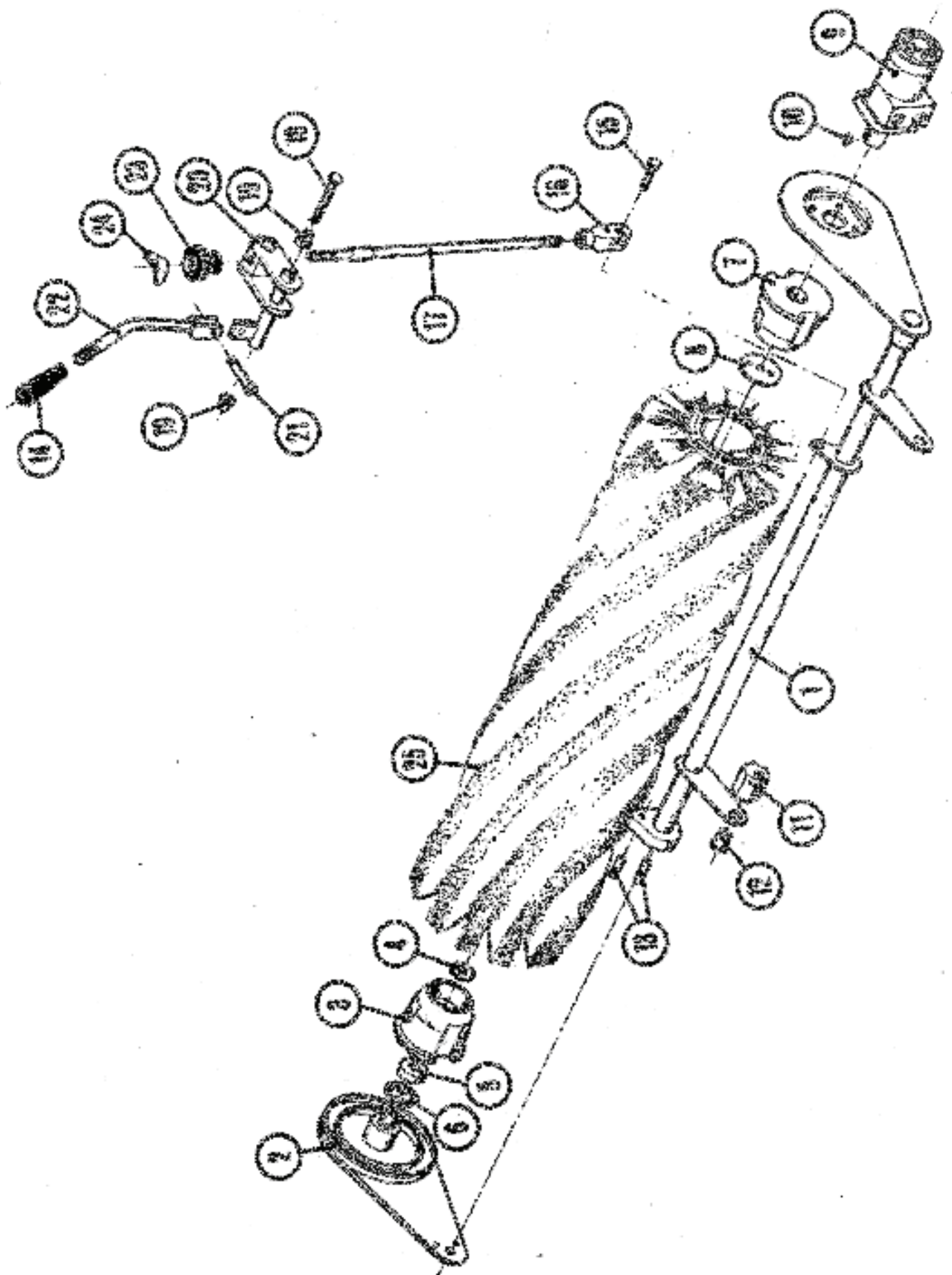
88 SERIES IMPELLER

ITEM NUMBER	PART NUMBER	DESCRIPTION
1	301027	Assembly - Shroud Inlet
2	300150	Shroud Outer
3	300133	Impeller
4	300902	Spacer - Impeller
5	400002	Nut - Acorn 1/2 - 20
6	300908	Deflector - Impeller
7	300351	Clamp - Hose 4" Diameter
8	301360	Cover - Impeller Bearing (Not Shown)
9	300350	Hose - Impeller to Hopper
10	400012	Flang - Grease 3/16
11	300474	Flng - Retainer Interior
12	300468	Bearing - Ball
13	300188	Housing - Bearing Impeller
14	300475	Washer - Wave
15	301330	Spacer - Flat Impeller
16	301354	Shaft - Impeller
17	300185	Shaft - Impeller
18	300344	Key 1/8 Square x .75
19	300348	Belt - V
20	301340	Assembly - Impeller Pulley Mount
21	300802	Assembly - Pivot Mount Impeller
22	301331	Spacer - Impeller Mount
23	301229	Assembly - Impeller Arm
24	300345	Pulley - Impeller
25	301313	Pulley - Impeller
26	301344	Cover - Impeller
27	301148	Clamp
28	301341	Guard - Impeller Belt
29	301430	Bracket - Impeller Adjustment
30	301365	Rod - Impeller Adjustment
31	300202	Bar - Cable Adjustment
32	301435	Bar - Impeller Adjustment Nissan
	300035	Bar - Impeller Attachment Ford
	302007	Bar - Impeller Adjustment Kubota
	302052	Bar - Impeller Adjustment Perkins
33	300347	Belt - V



78 SERIES IMPELLER

ITEM NUMBER	PART NUMBER	DESCRIPTION
1	301027	Assembly - Shroud Inner
2	300139	Shroud Outer
3	300133	Impeller
4	300302	Spacer - Impeller
5	400062	Nut - Acorn 1/2 - 20
6	300908	Deflector - Impeller
7	300351	Clamp - Hose 4-inch Diameter
8	301088	Cover - Impeller Bearing (Not Shown)
9	300350	Hose - Impeller to Hopper
10	400012	Fitting - Grease 3/16
11	300474	Ring - Retainer Interior
12	300468	Bearing - Ball
13	300186	Housing - Bearing Impeller
14	300476	Washer - Wave
15	301330	Spacer - Flat Impeller
16	302459	Bracket - Ball Tension
17	300185	Shaft - Impeller
18	300344	Key 1/8 Square x .75
19	300348	Belt - V
20	301349	Assembly - Impeller Pulley Mount
21	300892	Assembly - Pivot Mount Impeller
22	302327	Assembly - Impeller Arm
23	300346	Pulley - Impeller
24	302209	Pulley - Impeller
25	301344	Cover - Impeller
26	301146	CRpinut
27	301341	Guard - Impeller Belt
28	301439	Bracket - Impeller Adjustment
29	301303	Rod - Impeller Adjustment
30	300202	Cable Adjustment
31	302458	Assembly Belt Tension Bar
32	302347	Belt - V
33	302047	Pump - Auxiliary



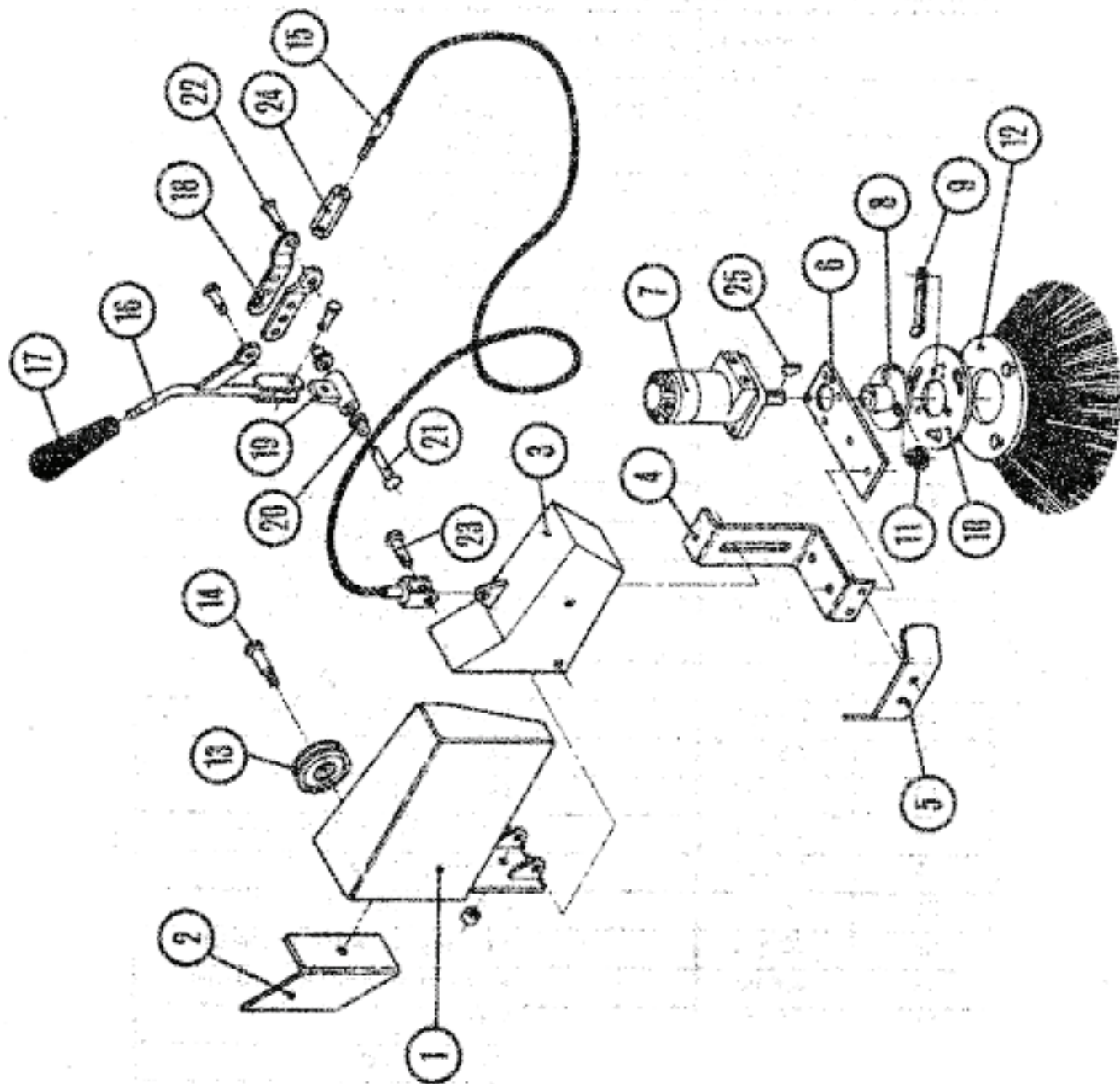
MAIN BROOM

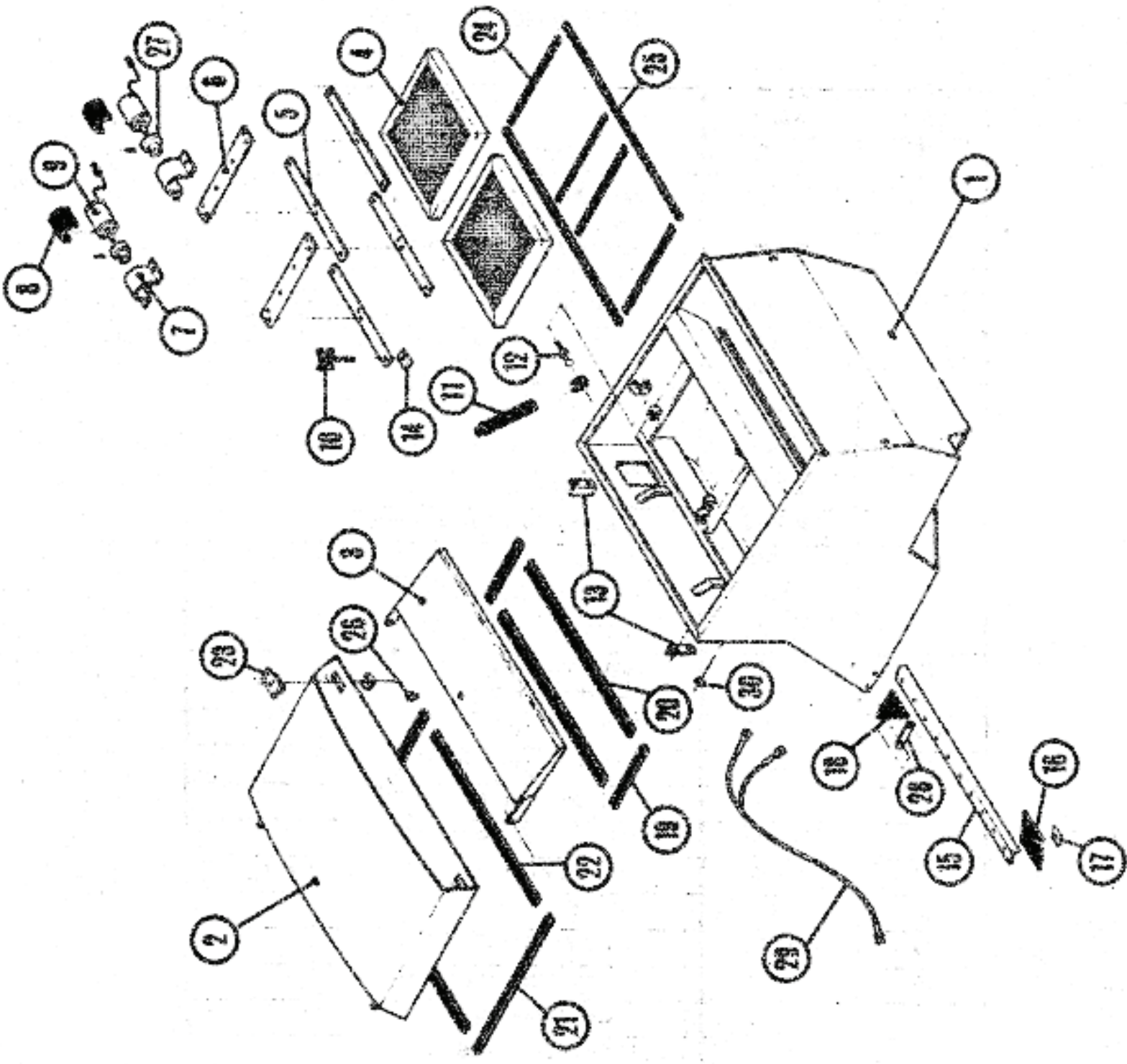
ITEM NUMBER	PART NUMBER		DESCRIPTION
	Series 68	Series 78*	
1	300018	300006	Assembly - Mount Main Broom
2	300005		Assembly - Arm Broom Idler
3	301051		Hub - Broom Idler
4	400009		Washer Fender 1/2
5	300468		Bearing Ball #206 PP
6	300475		Ring - Retainer Internal 2.08
7	301050		Hub - Main Broom Drive
8	301285		Retainer - Drive Hub
9	301442		Motor - Hydraulic
10	302082		Key - Hydraulic Motor
11	300064		Block Adjustment Main Broom
12	300432		Bushing - Bronze Flanged
13	300021		Pin - Dowel .38 Dia x 1.25
14	300558		Knob - Main Broom, Curb Broom, Squeegee
15	400117		Pin - Clevis 3/8 x 1.12
16	301447		Clevis - Main Broom & Brake
17	300856		Rod - Main Broom Lift
18	400113		Pin - Clevis 3/8 x 8.12
19	300414		Bushing - Plastic Main Broom
20	300088		Assembly - Arm Broom Lift
21	400117		Pin - Clevis 3/8 x 1.12
22	300676		Assembly - Lever Main Broom Lift
23	300802		Knob - Main Broom Lift Adjustment
24	400054		Wing Nut
25			Main Broom Options
	300315	305914	Nylon
	300313	300872	Prox
	300303	300302	Prox & Wire
	300303	300324	Union Fiber & Wire
	300301	300326	Wire
	300317	300318	Patrol Brush
	300321	300320	H-Density Union Fiber & Wire
	300328	300304	H-Density Nylon

*When no number appears in this column, the parts number for the 78 Series is the same as that for the 68 Series.

SIDE BROOM

ITEM NUMBER	PART NUMBER	DESCRIPTION
1	301676 300905	Assembly - Bracket Curb Broom Mounting (High Dump) Assembly - Bracket Curb Broom Mounting (Low Dump)
2	300959	Guard - Frame
3	300929	Assembly - Arm Curb Broom
4	300054	Bracket - Curb Broom
5	300055	Guard Curb Broom
6	300956	Plate Mounting Curb Broom
7	301560	Motor - Hydraulic Curb Broom
8	300875	Assembly - Dr Hub So Brush Prod
9	302058	Bar Brush Retainer
10	301262	Plate Gimbal Scrub Brush
11	300465	Rubber Isolator
12	300307 300309	Side Broom (Poly) Side Broom (Nylon)
13	300368	Pulley Plastic
14	400051	Screw - Hex Head Screw 5/16 x .50
15	300342	Cable Curb Broom
16	300682	Assembly - Lift Lever Curb Broom
17	300558	Knob - Main Broom, Curb Broom, Squeegee
18	300203	Bar Cable
19	300058	Assembly - Pivot Lift Lever
20	300414	Bushing - Plastic Main Broom
21	400115	Pin Clevis 3/8 x 3.00
22	400135	Pin Clevis 5/16 x 1.25
23	400118	Pin Clevis 5/16 x .88
24	300202	Bar Cable Adjustment
25	302082	Key - Hydraulic Motor (Curb Broom)

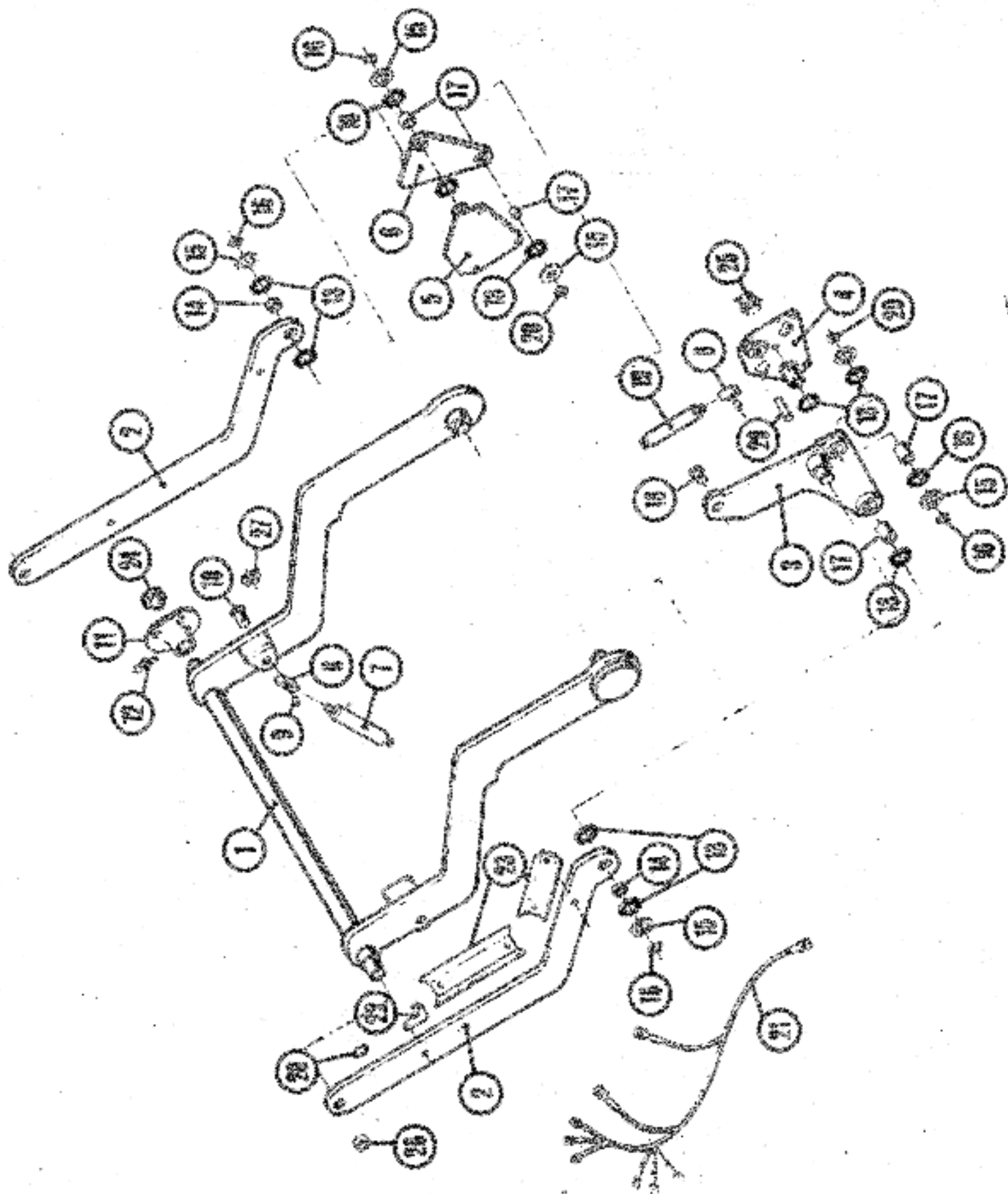




HOPPER

ITEM NUMBER	PART NUMBER		DESCRIPTION
	Series 69	Series 78*	
1	300125	300089	Assembly - Hopper
2	300789	300787	Assembly - Hood Hopper
3	300121	300114	Assembly - Lid Hopper
4	300391	300090	Filter - Dust Control
5	300019	300021	Bar - Filter Retainer
6	300617		Mount - Filter Shaker
7	300015		Retainer Shaker
8	300004		Mount Neoprene Shaker (Motor)
9	300424		Motor - Shaker Filter
10	300353		Knob - Clamping Filter Retainer
11	300076		Gas - Spring Cover
12	300078		Stud - Ball Gas Spring
13	300046		Hinge - Hopper Cover
14	301155		Clipnut - 5/16 - 18
15	300188	300205	Angle - Flip Hopper
16	300103	300194	Flip Hopper Front
17	301146		Clipnut - 1/4 - 20
18	300151		Flip Hopper Side
19	300388		Gasket - Lid Short
20	300355		Gasket - Lid Long
21	300429		Gasket - Hood Short
22	300428		Gasket - Hood Long
23	300380		Assembly Latch #HTL1
24	300449		Gasket - Filter Dust Short
25	300418	300419	Gasket - Filter Dust Long
26	300626		Bumper Plusher Engine Cover
27	301083		Weight - Eccentric
28	302148		Backing - Hopper Side Corner
29	300033 301298		Wing Harness - High Dump Wing Harness - Low Dump
30	301585		Strain Relief

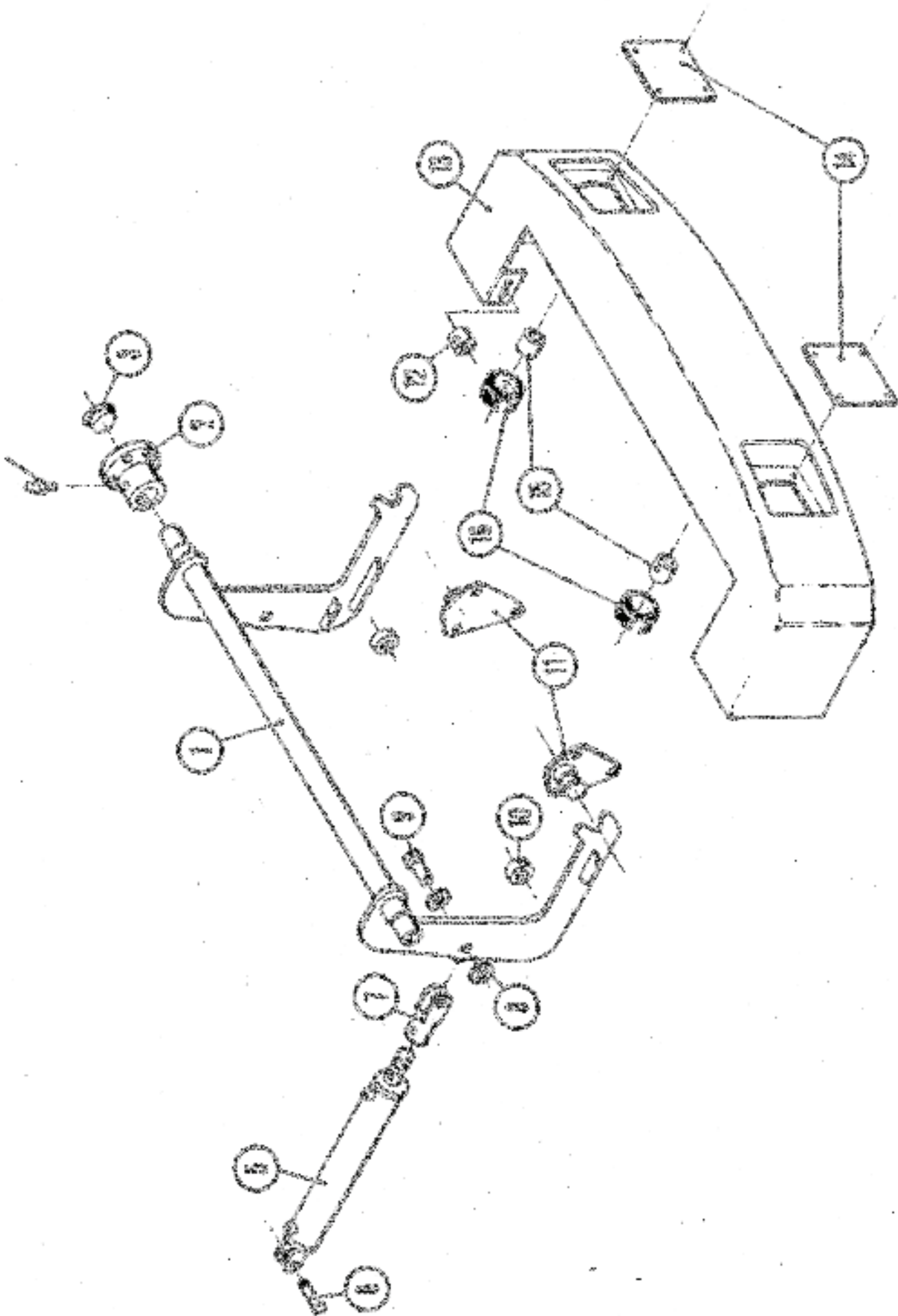
*When no number appears in this column, the part number for the 78 Series is the same as that for the 69 Series.



HIGH DUMP ARM ASSEMBLY

ITEM NUMBER	PART NUMBER		DESCRIPTION
	Series 78	Series 75*	
1	800924	800922	Assembly - Arm
2	800829		Lift Arm - Secondary
3	800809		Assembly - Arm Rotating Cylinder Mount
4	800897		Assembly - Rotation Mount - RH
5	800711		Assembly - Rotation Mount - LH
6	970013		Assembly - Arm Restrain Plate
7	800426		Cylinder - Hydraulic LH
8	800229		Head End - Branch Cylinder
9	800982		Shoring - 1.875 x 1.25 OD x 1.50
10	800813		Pin Upper Cylinder Mount
11	801075		Assembly - Dump Arm Mount
12	400012		Fitting - Grease 3/16
13	800177		Thrust Bearing
14	800858		Bearing - 2.8 OD x 2.00 ID x .75
15	800879		Washer - HD 5.25 OD x 1.00 ID
16	801769		Ring - Retainer Exterior Extension
17	800249		Bearing - 2.18 OD x 2.00 ID x 1.50
18	801909		Pin - Rotating Cylinder Cover
19	800407		Cylinder - Hydraulic Restrain
20	400076		Nut Hex Jam Locked
21	800000		Wiring Harness HD
22	802397		Bracket - Upper Switch
23	801711		Clip - Hydraulic Hose HD
24	801420		Spacer Dump Arm
25	801712		Assembly - Retainer HD
26	800887		Bearing
27	801488		Ring Retaining
28	801658		Connector
29	801997		Pin - Rotation Cylinder

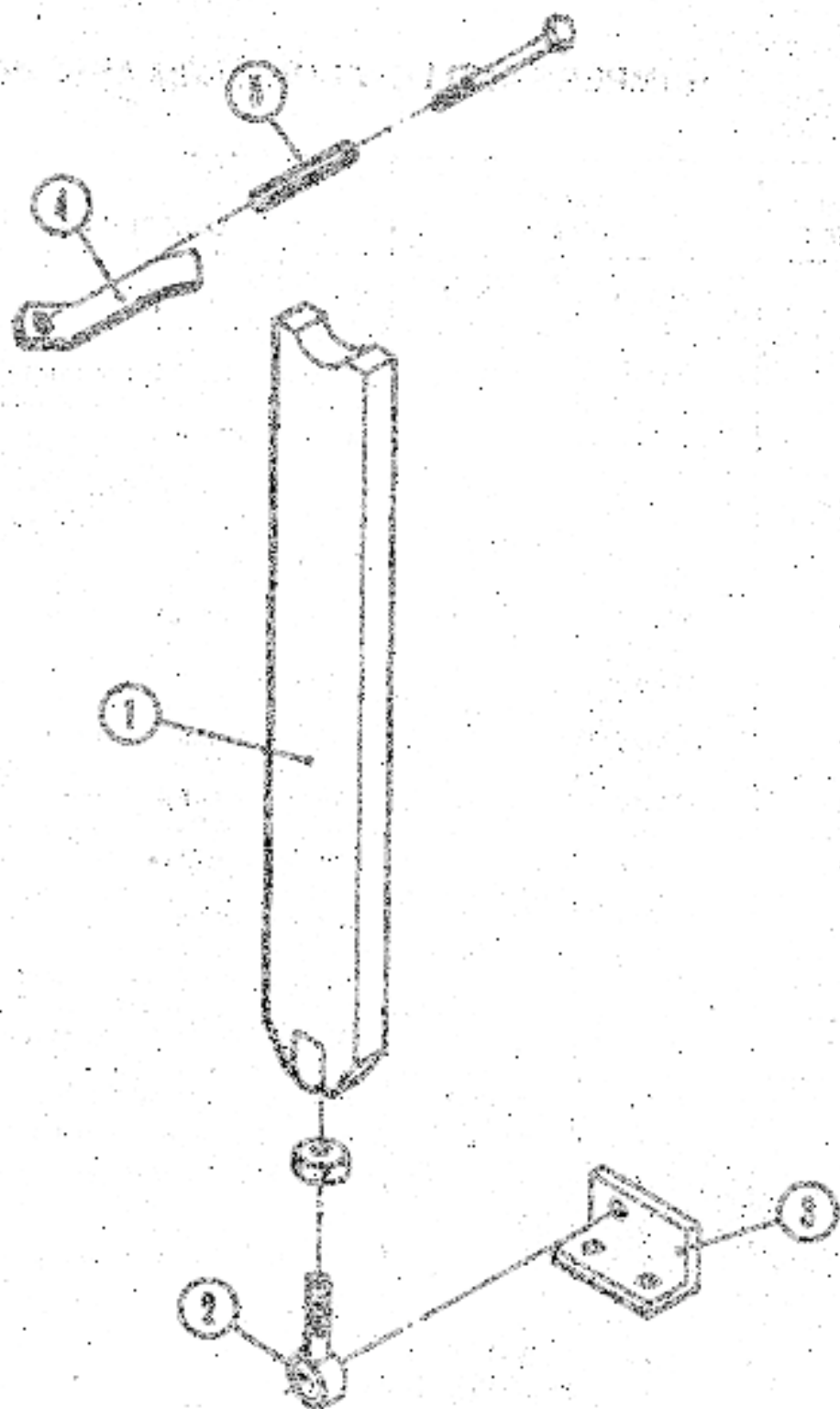
*When no number appears in this column, the part number for the 78 Series is the same as that for the 75 Series.



BUMPERS AND LOW DUMP ARM ASSEMBLY

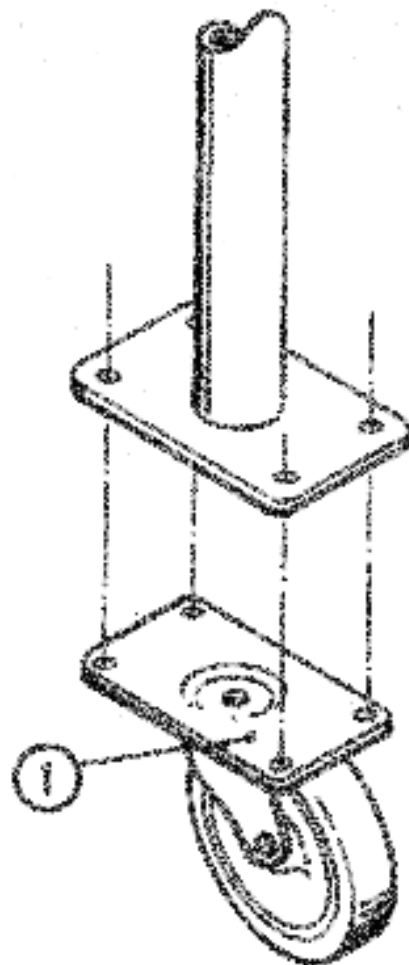
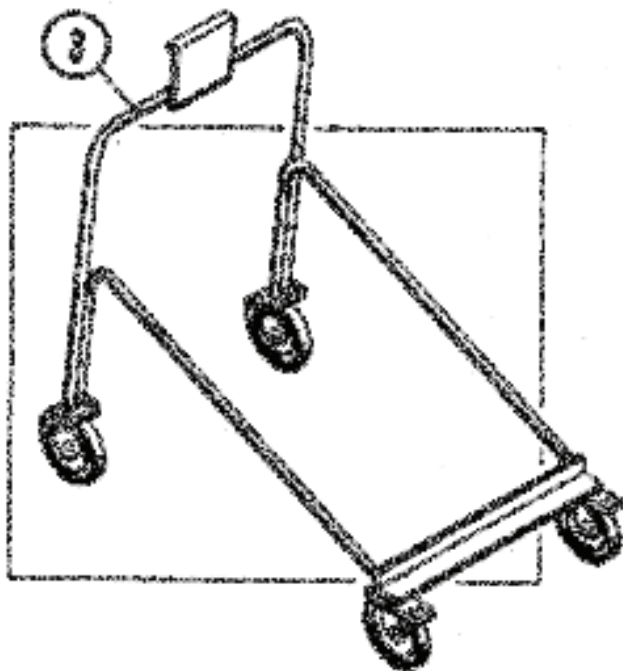
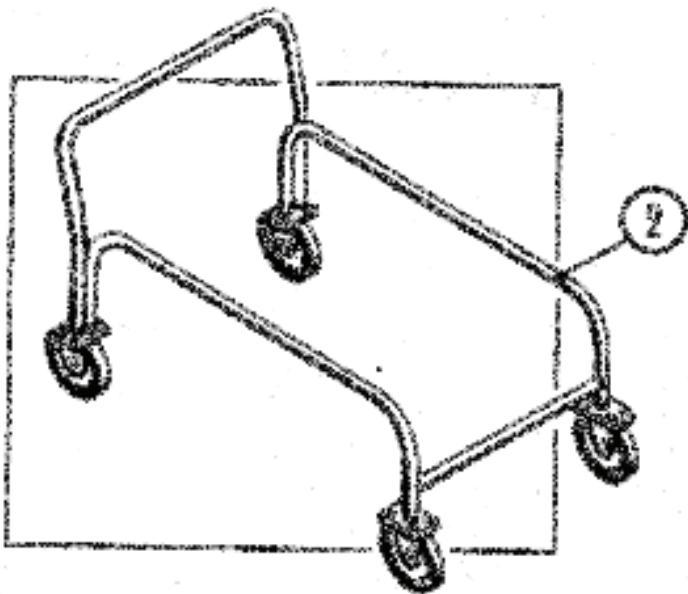
ITEM NUMBER	PART NUMBER		DESCRIPTION
	Series 88	Series 78*	
1	300294	300104	Assembly - Lift Arm (Low Dump)
2	301075		Mount - Dump Arm
3	301420		Spacer - Dump Arm Mount
4	400012		Fitting Grease 3/16
5	300058		Cylinder - Hydraulic (Low Dump)
6	400110		Pin - Clevis 7/8 x 2.00
7	301370		Cylinder - Clevis (Low Dump)
8	301416		Spacer - Lift Cylinder - Clevis
9	400107		Pin - Clevis 1.00 x 2.52
10	300028		Bar - Stop Hopper
11	300096		Assembly - Lift Bracket Hopper
12	302603		Spacer - Bumper (Low Dump Only)
13	301042 300747 301897 301899	301038 301031	Assembly - Bumper Front (High Dump) Assembly - Bumper Front (Low Dump) Assembly - Bumper Front (High Dump) ME Assembly - Bumper Front (Low Dump) ME
14	301662		Headlight Filler
15	301085		Spacer - Front Bumper
16	300338		Bumper - Rubber

*When no number appears in this column, the parts number for the 78 Series is the same as that for the 88 Series.



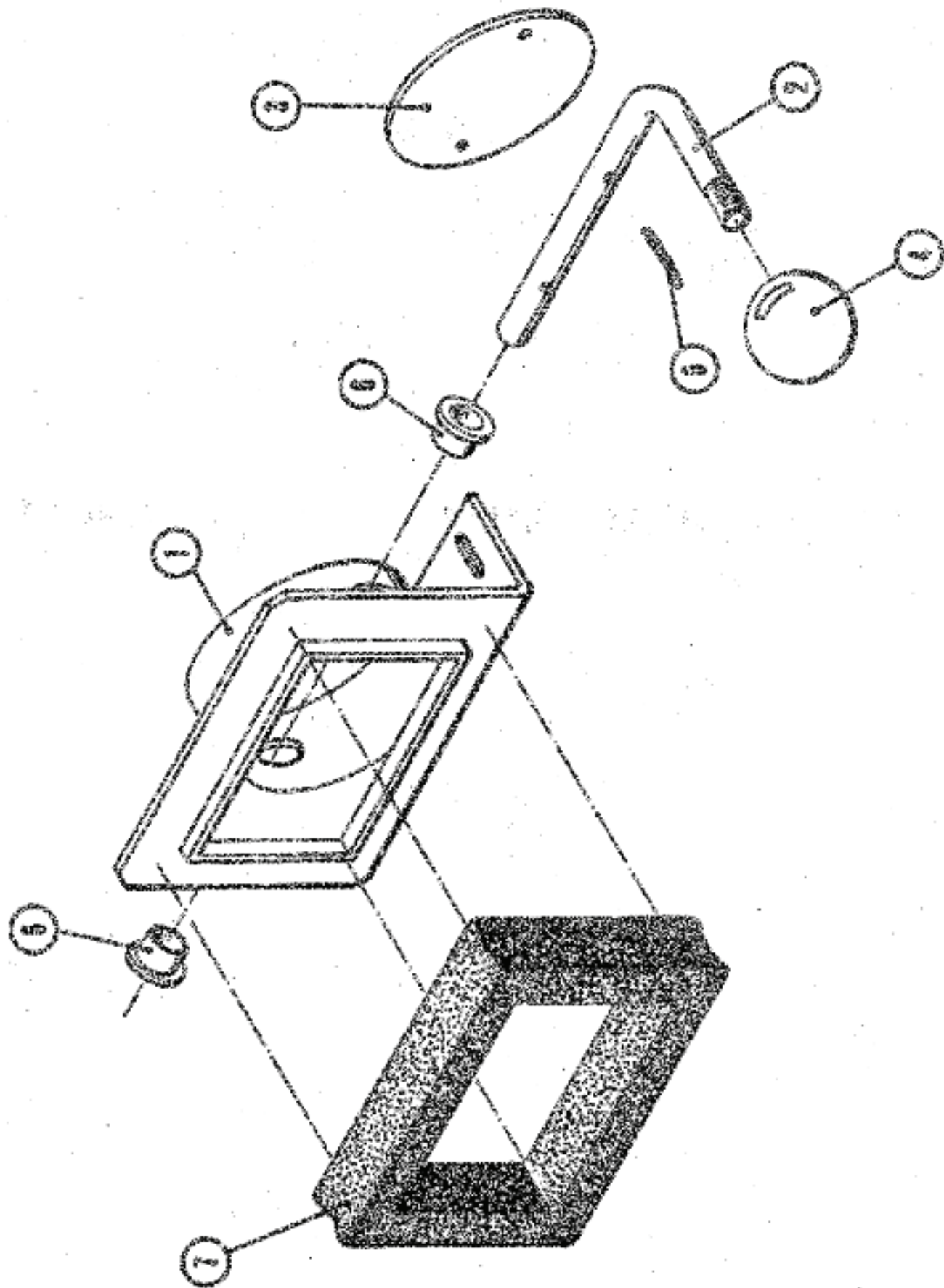
HIGH DUMP SAFETY ARM

ITEM NUMBER	PART NUMBER	DESCRIPTION
1	302042	Assembly Safety Arm Pntd
2	300457	Ball Joint - 5/8" - 18
3	302045	Bracket - HD Safety Arm Pntd
4	302076	Ret - HD Safety Arm Pntd
5	302077	Hoso - HD Safety Arm Pntd



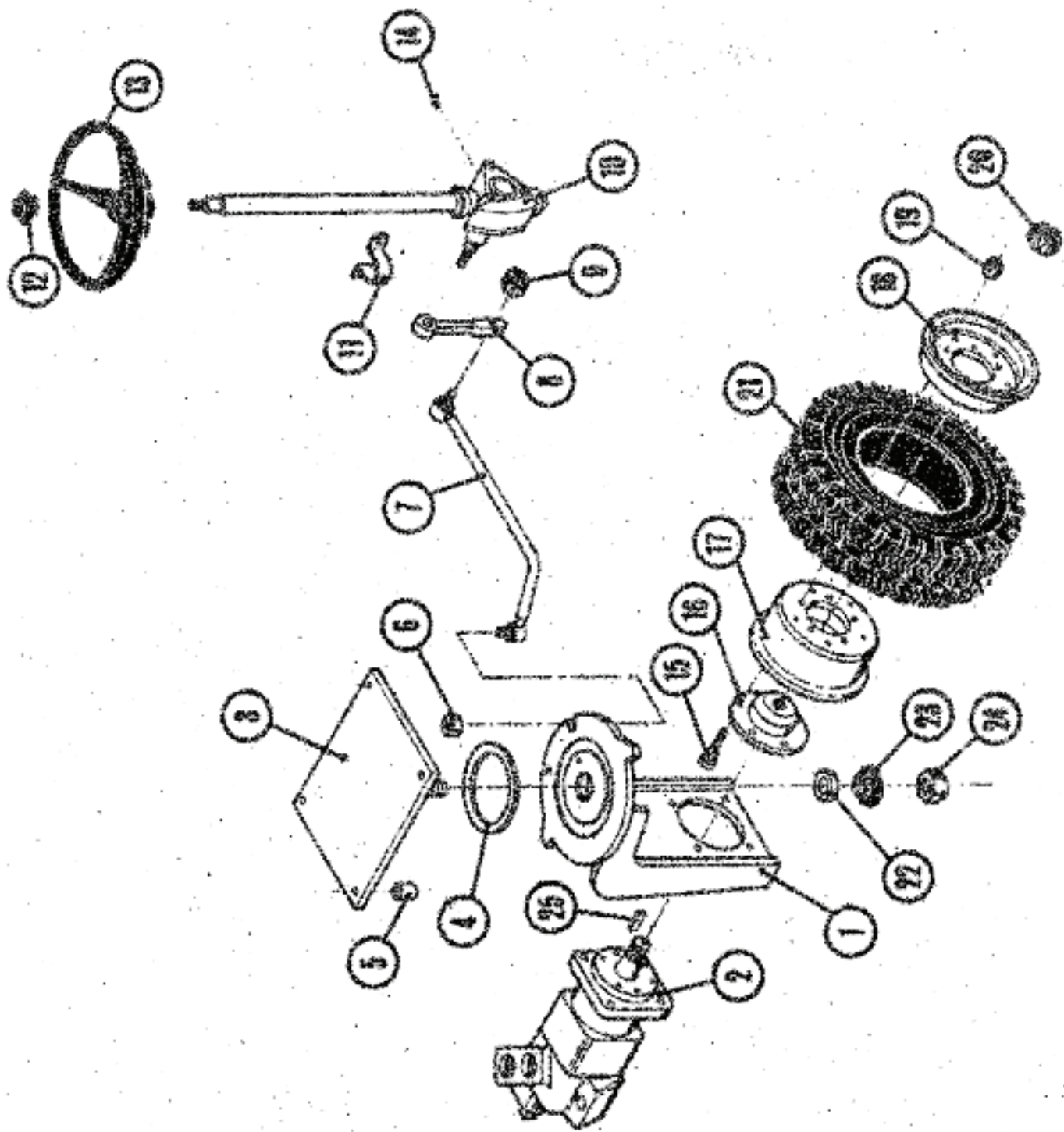
DOLLIES

ITEM NUMBER	PART NUMBER	DESCRIPTION
1	301321	Caster - Swivel 4.00 Diameter
2	302012 302011	Assembly - Hopper Dolly Grp HD Assembly Hopper Dolly HD Prid
3	301701 301314	Assembly - Hopper Dolly Grp LD Assembly - Hopper Dolly LD Prid



LOW DUMP HOPPER SHUTOFF

ITEM NUMBER	PART NUMBER	DESCRIPTION
1	300050	Assembly - Gasket Mount Pnd
2	301418	Rod - Hopper Shutoff Pnd
3	301486	Damper - Hopper Shutoff
4	300563	Knob
5	301713	Spring - Extension Damper
6	300414	Bushing - Plastic
7	300193	Gasket - Hopper Air Outlet



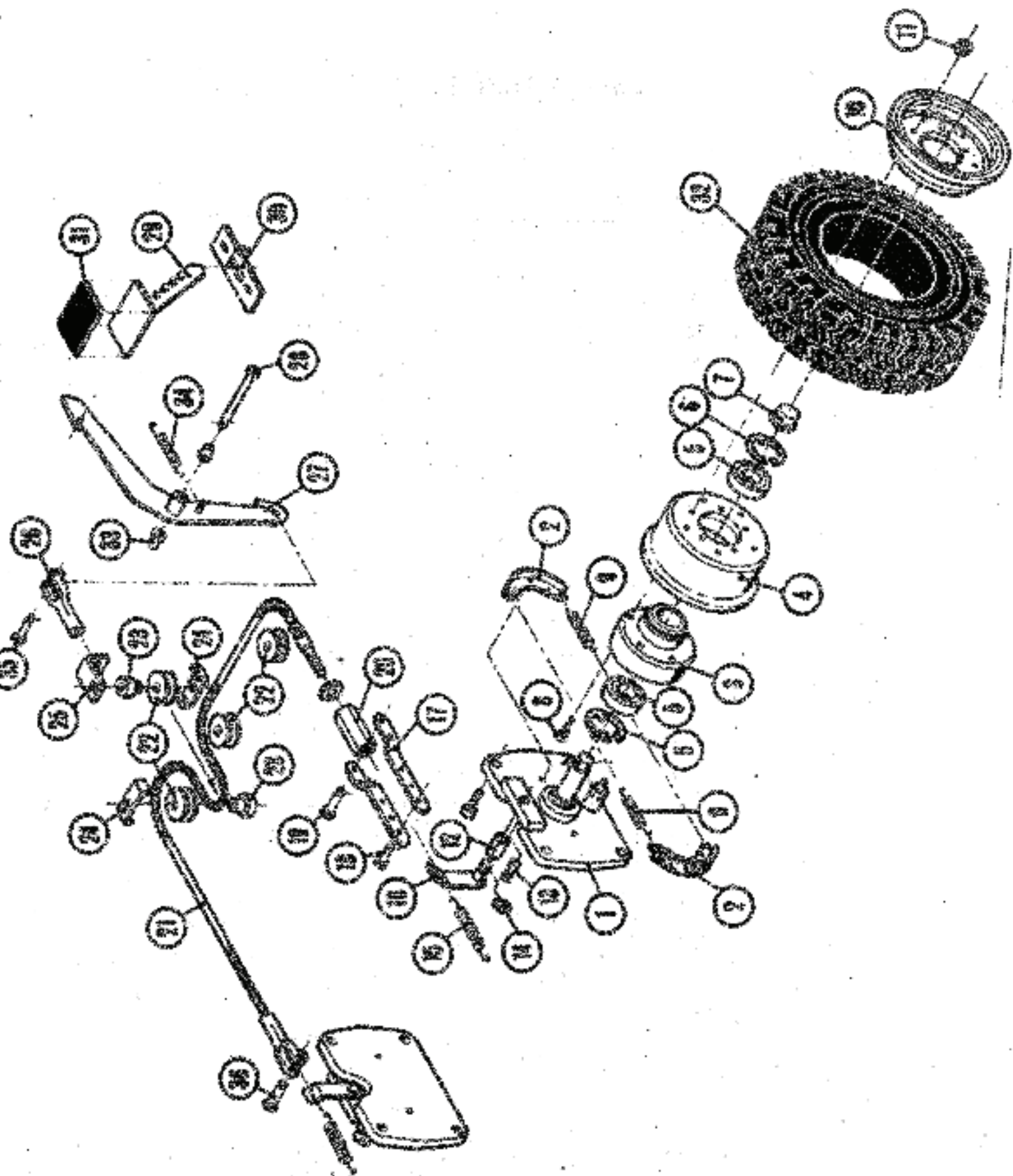
STEERING

ITEM NUMBER	PART NUMBER		DESCRIPTION
	Series 65	Series 75*	
1	300278	300298	Assembly - Steering Fork
2	301533	301334	Motor - Hydraulic
3	300153		Assembly - Fork Pin
4	300472		Bearing Thrust
5	301440		Sprocket Main Broom
6	400189		Nut - Hex Jam Half 1/2 - 20
7	301010		Assembly - Steering Link
8	300215		Arm - Steering
9	400223		Nut - Hex Slotted 1/2 - 20 5P
10	300374		Assembly - Steering Gear
11	300226		Bracket Steering
12	300273		Cup - Steering Wheel
13	300372		Wheel - Steering
14	400205		Filing - Grease 65 of 1/4 NPT
15	300415		Stud - Wheel Hub
16	301014	301018	Hub - Rear Wheel
17	300211		Rim - Inner
18	300408		Rim - Outer
19	300411		Nut - Wheel Lug
20	400224	400223	Nut - Hex Slotted 1 1/4 - 18 x .62
21	301325		Assembly - Tire (Solid)
	301528		Assembly - Tire (Pneumatic)
22	300470		Bearing - Tapered Roller Cup
23	300471		Bearing - Tapered Roller Cone
24	400063		Jam Nut - Lock Half Height 1 1/4 - 12
25	302122		Key Hydraulic Motor - 4000 Series

*When no numbers appear in this column, the parts number for the 75 Series is the same as that for the 65 Series.

AXLE, BRAKES AND WHEEL

ITEM NUMBER	PART NUMBER		DESCRIPTION
	Series 55	Series 75*	
1	300652		Assembly - Front Axle
2	300523		Shoe - Brake with Lining
3	300767		Hub - Front Wheel
4	300211		Rim - Front Wheel
5	300467		Bearing - Ball 2.44 x 1.18 ID
6	300473		Ring - Retainer Internal
7	300388		Cap - Hub
8	300415		Stud - Wheel Hub
9	301519		Spring Extension Brake Shoe
10	300408		Rim Outer
11	300411		Nut - Wheel Lug
12	300410		Bushing - 1.00 OD x .87 ID
13	301518		Spring - Compression Brake Shoe
14	300484		Ring - Retainer Extension .87
15	301517		Spring - Extension Brake Lever
16	300670		Assembly - Brake Lever
17	300203		Bar - Cable
18	400118		Pin - Clevis 5/16 x .65
19	400185		Pin - Clevis 5/16 x 1.25
20	300202		Bar - Cable Adjustment
21	300412	300486	Cable Brake
22	300367		Pulley - Brake
23	300036		Spacer - Brake Pulley
24	300208		Retainer - Cable
25	300955		Bracket - Brake Pulley
26	300482		Clevis - Gablecraft AC-218
27	300132		Assembly - Brake Arm
28	400115		Pin - Clevis 3/8 x 3.00



AXLE, BRAKES AND WHEEL (cont.)

ITEM NUMBER	PART NUMBER		DESCRIPTION
	Series 68	Series 78*	
29	301216		Assembly - Brake Pedal Lock
30	300058		Assembly - Brake Lock
31	300413		Pad Brake Pedal
32	300370		Tire - Solid
	300371		Tire - Pneumatic
33	300414		Brushing - Plastic Main Broom
34	301522		Spring Extension Brake Arm
35	400118		Pin - Clevis 5/8 x 1.25
36	400118		Pin - Clevis 5/16 x .86

*When no number appears in this column, the parts number for the 78 Series is the same as that for the 68 Series.

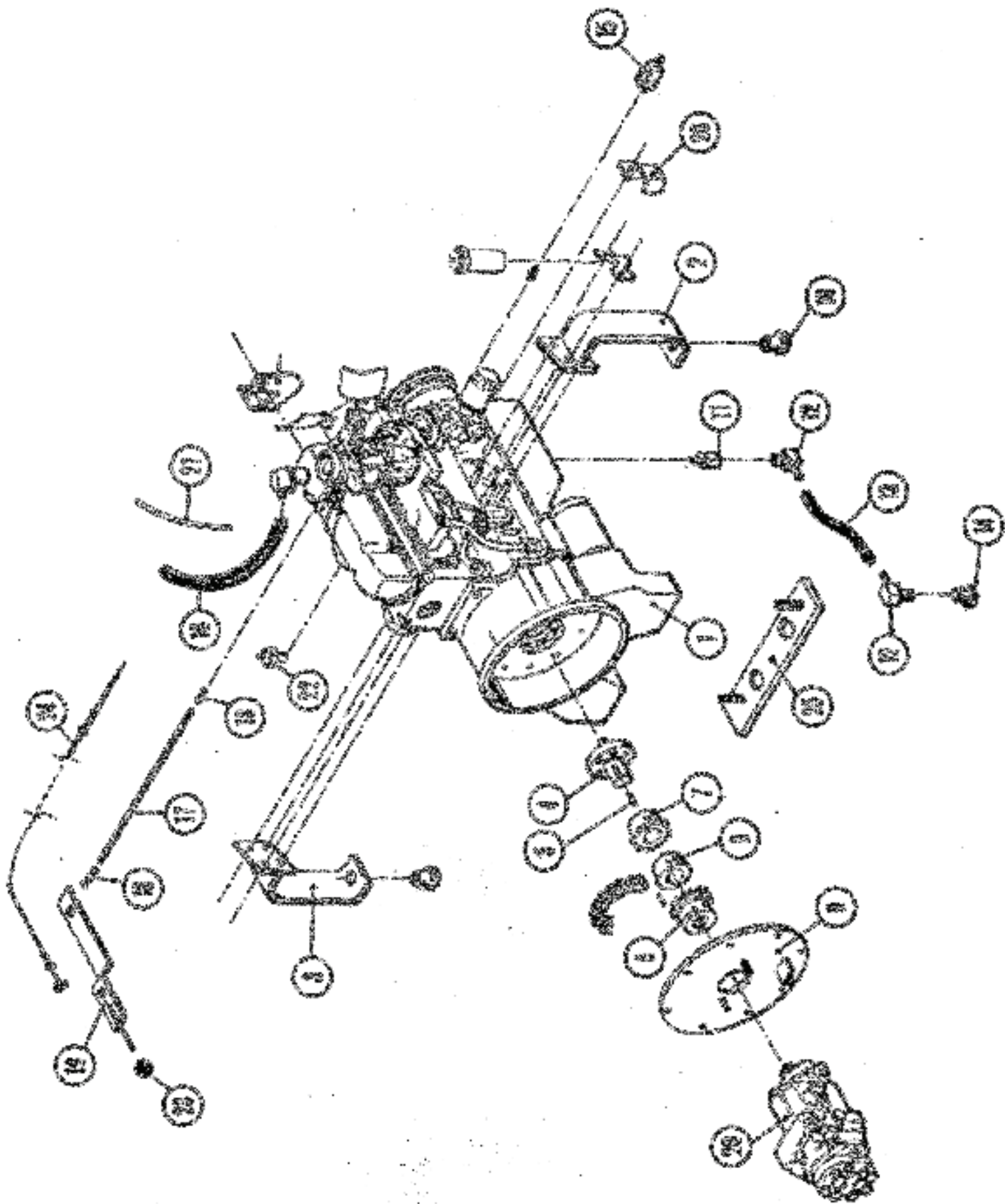
TABLE OF CONTENTS
Options

To Order Parts and Supplies.....	I-1
Ford Gas Engine.....	I-3
Perkins Diesel Engine.....	I-5
Kubota Diesel Engine.....	I-9
Cab.....	I-11
Overhead Guard.....	I-13
Windshield Wiper.....	I-15
Heater/Defroster.....	I-17
Pressurizer.....	I-19
Hopper Fire Indicator.....	I-21
Clogged Filter Indicator.....	I-23
Light Options.....	I-25
Power Packer High Dump Assembly.....	I-27
Powerstack Group.....	I-31
Blower Option.....	I-33
Vacuum Wand.....	I-35
Vacuumized Curb Broom (Hood Detail).....	I-37
Vacuumized Curb Broom (Hopper Detail).....	I-39
Heavy Duty Curb Broom Guard.....	I-41
Wet Sweep Bypass.....	I-43
Michelin Tire Assembly.....	I-45

TO ORDER PARTS AND SUPPLIES

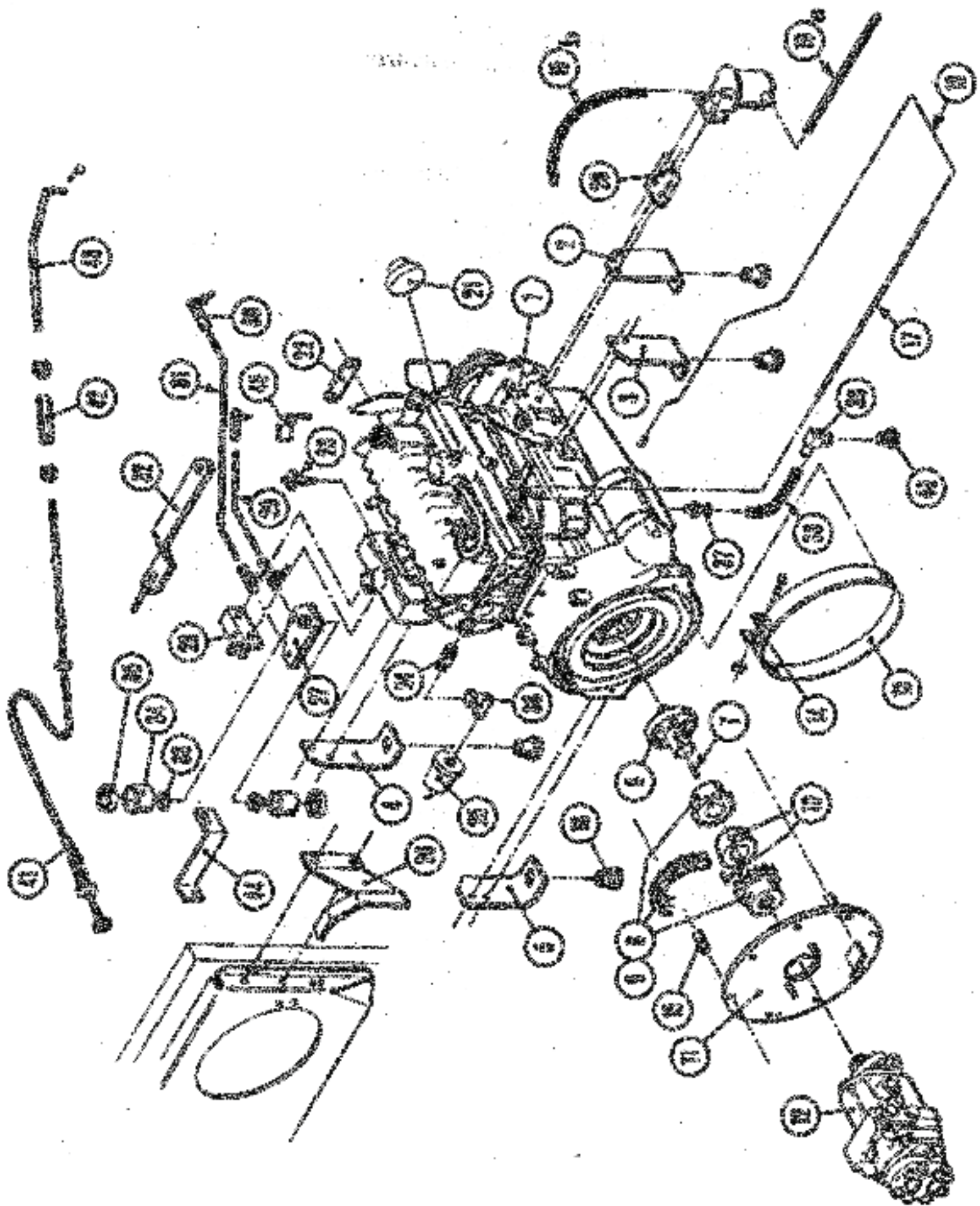
The components and parts used in your PowerBoss™ sweeper are selected for quality, performance and safety. Use only AAR Brooks & Perkins parts and supplies to repair and maintain your machine.

To order parts and supplies, contact your distributor.



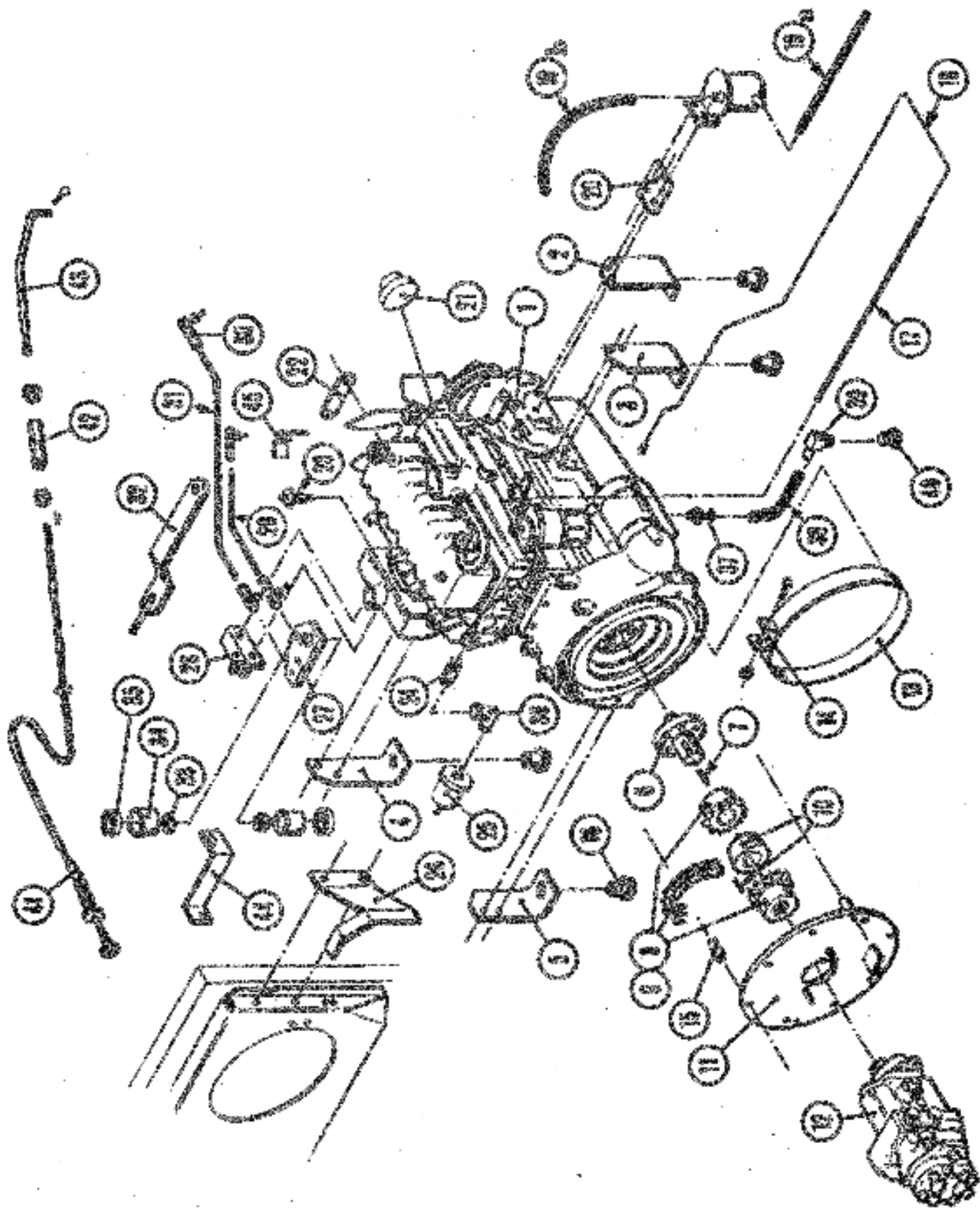
FORD GAS ENGINE

ITEM NUMBER	PART NUMBER	DESCRIPTION
1	301805	Assembly Engine Ford Gas
2	300722	Assembly - Engine Mini Fnt Ford
3	300724	Assembly - Engine Mini Rear Ford
4	300854	Adap - Pump Drive Ford
5	301718	Key - 1/4" Sq x .88 Lg
6,7,8	302655	Assembly - Drive Sprocket Complete
9	300679	Assembly - Pump Mtg Plate Fnt
10	300464	Mini Isolation
11	300094	Fig - Adap 1/2 - 20 to 3/8" NPT
12	400190	Fig - 90° El 1/2" Tube to 3/8" NPT
13	301716	Hose - Oil Drain
14	400194	Fig - Pipe Plug 3/8" NPT - Socket
15	300397	Sender - Oil Pressure
16	301716	Hose - Oil Drain
17	301856	Rod - Throttle Pfd Ford
18	301459	Assembly - Ball Joint #10 - S2
19	301466	Assembly - Throttle Lever Pfd
20	300015	Assembly - Pump VD & Aux Comp
21	300097	Hose - Vacuum Line Governor - Ford
22	300366	Sender - Temp Ford
23	300563	Knob - Ball Throttle
24	301859	Cable - Choke Ford
25	301853	Assembly - Engine Mount Flywheel Ford
26	300036	Bracket - Radiator Hose Mount Ford



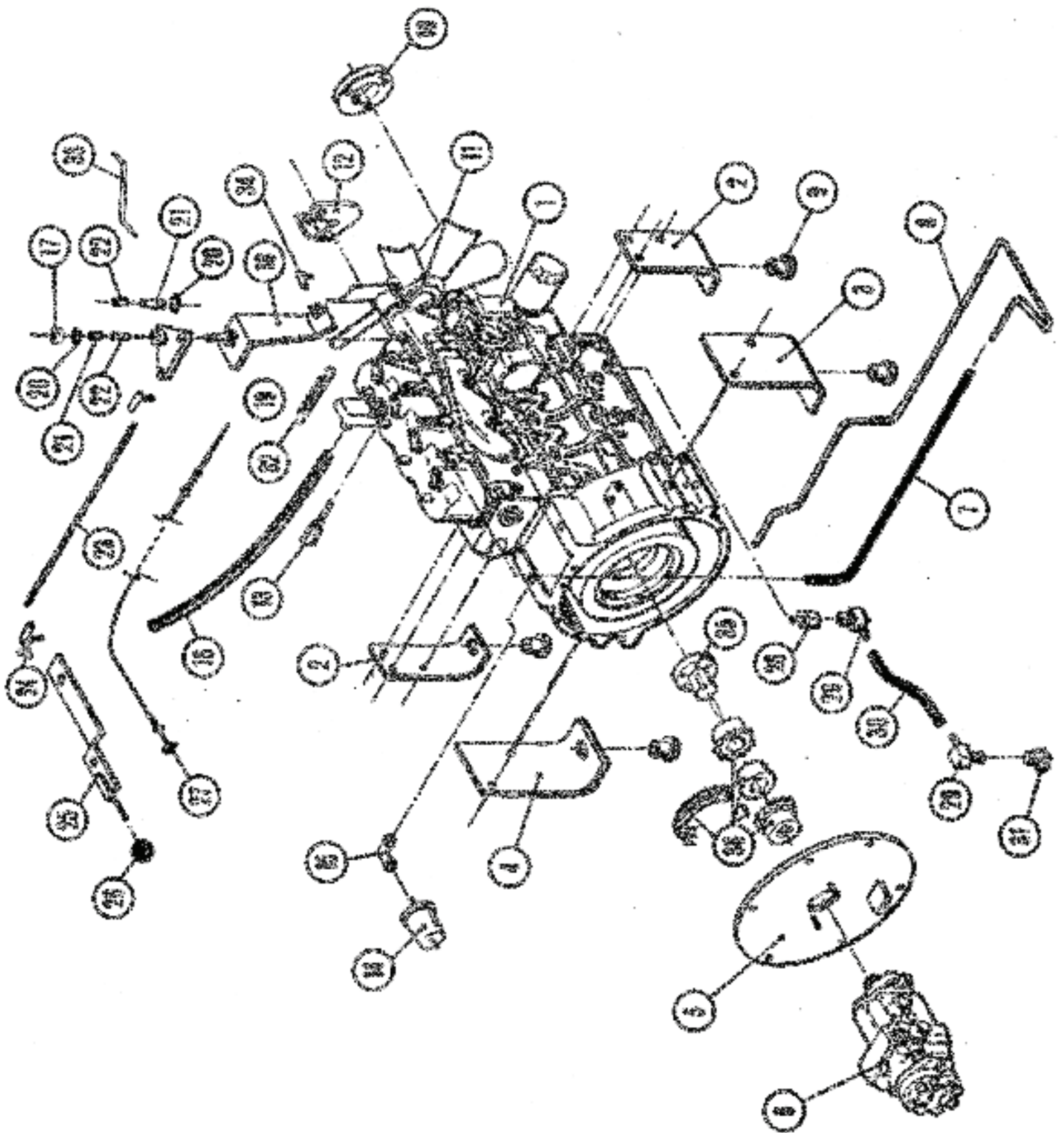
PERKINS DIESEL ENGINE

ITEM NUMBER	PART NUMBER	DESCRIPTION
1	302745	Engine - Diesel Perkins
2	302978	Mnt - Engine Lt Ft
3	302961	Mnt - Engine Rt Ft
4	302978	Mnt - Engine Lt Rear
5	302960	Mnt - Engine Rt Rear
6	302971	Adap - Pump Drive Perkins
7	301718	Key - 1/4" Sq x .86 Lg
8	302855	Assy - Sprocket Driven & Drive Comp
9	302858	Assy - Sprocket Driven & Drive Comp
10	300631	Bushing - Tapered Ret
11	303101	Assy - Pump Mtg Plate Perkins
12	303015	Assy - Pump VD & Aux Comp
13	303098	Coupling - Flywheel Perkins
14	303099	Brkt - Flywheel Coupling Perkins
15	302994	Spacer - Pump Mtg Plate Perkins
16	303484	Mnt - Isolation
17	303107	Hose - Fuel Return Line Diesel
18	303608	Tube - Fuel Return Line Diesel
19A	302931	Hose - H ₂ O Sep Perkins (Inlet)
19B	303107	Hose - H ₂ O Sep Perkins (Outlet)
20	302999	Mnt - H ₂ O Sep Perkins
21	302970	Spacer - Fan Perkins
22	302993	Brkt - Hoss Ret Perkins
23	302904	Sender - Temp Diesel
24	303105	Flg - Nipple 1/8" NPT x 2.00 Lg
25	303367	Sender - Oil Pressure
26	303122	Guard - Alternator Belt Perkins
27	302985	Assy - Bellcrank Pivot Diesel Perkins
28	302987	Assy - Bellcrank Mnt Diesel Perkins



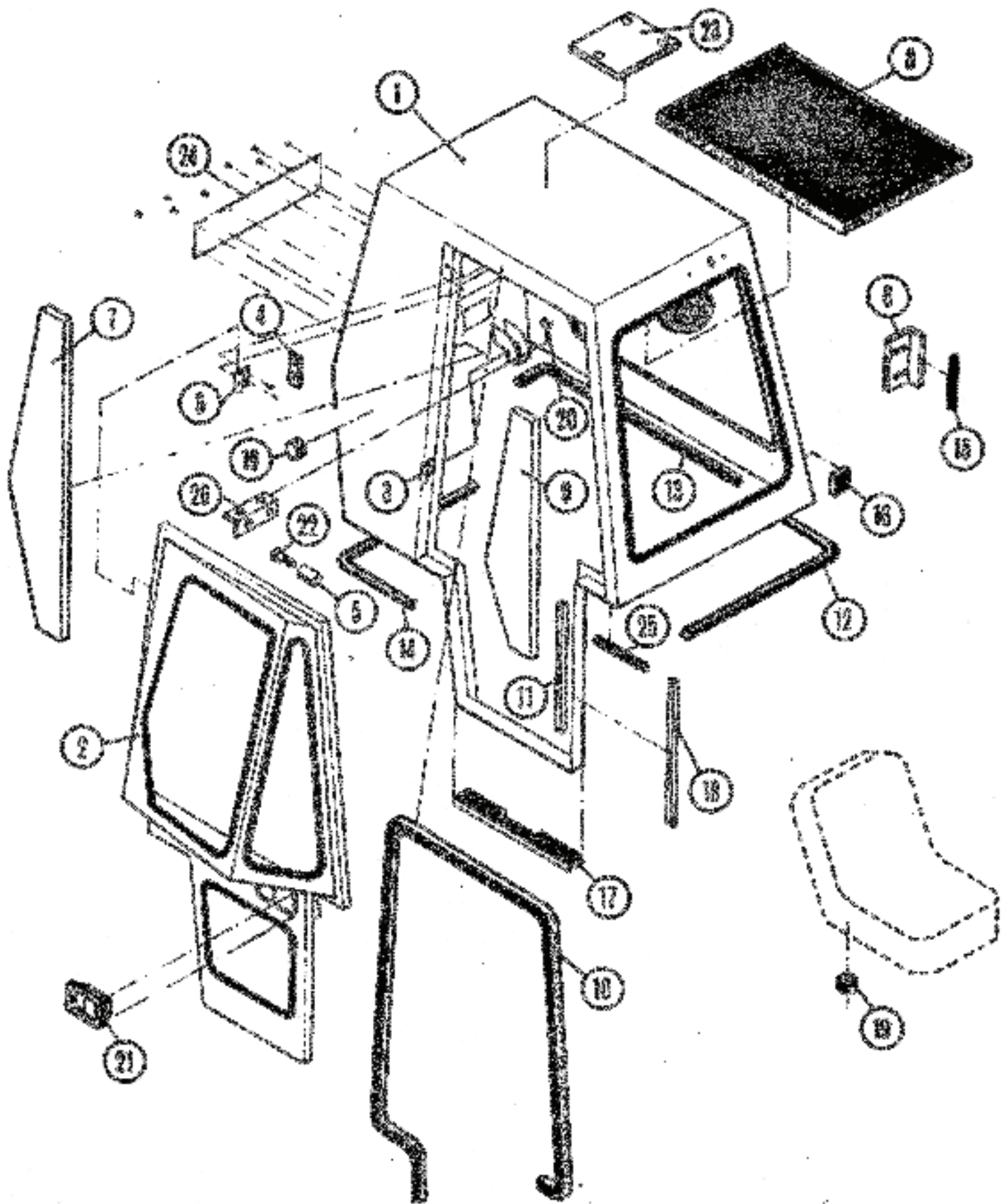
PERKINS DIESEL ENGINE (cont.)

ITEM NUMBER	PART NUMBER	DESCRIPTION
29	302976	Rod - Throttle Short Perkins
30	301199	Assy - Ball Joint 1/4 - 28
31	302991	Rod - Throttle Linkage Perkins
32	302846	Assy - Throttle Lever Diesel
33	300430	Bushing - Self-Lubricating
34	300339	Sleeve - Squeegee
35	400178	Thrust Bearing - Laminated
36	301720	Fig - 90° El 1/8" NPT
37	302969	Fig - Oil Drain Diesel Perkins
38	303106	Hose - Oil Drain Perkins
39	400190	Fig - 90° El 1/2" Tube to 3/8" NPT
40	400194	Fig - Pipe Plug 3/8" NPT - Socket
41	301427	Cable - Stop Diesel
42	303110	Bar - Stop Cable Adj Perkins
43	302990	Rod - Stop Cable Ext Perkins
44	302992	Brkt - Imp Mnt Perkins
45	302340	Clip - Hyd Hose Case Drain



KUBOTA DIESEL ENGINE

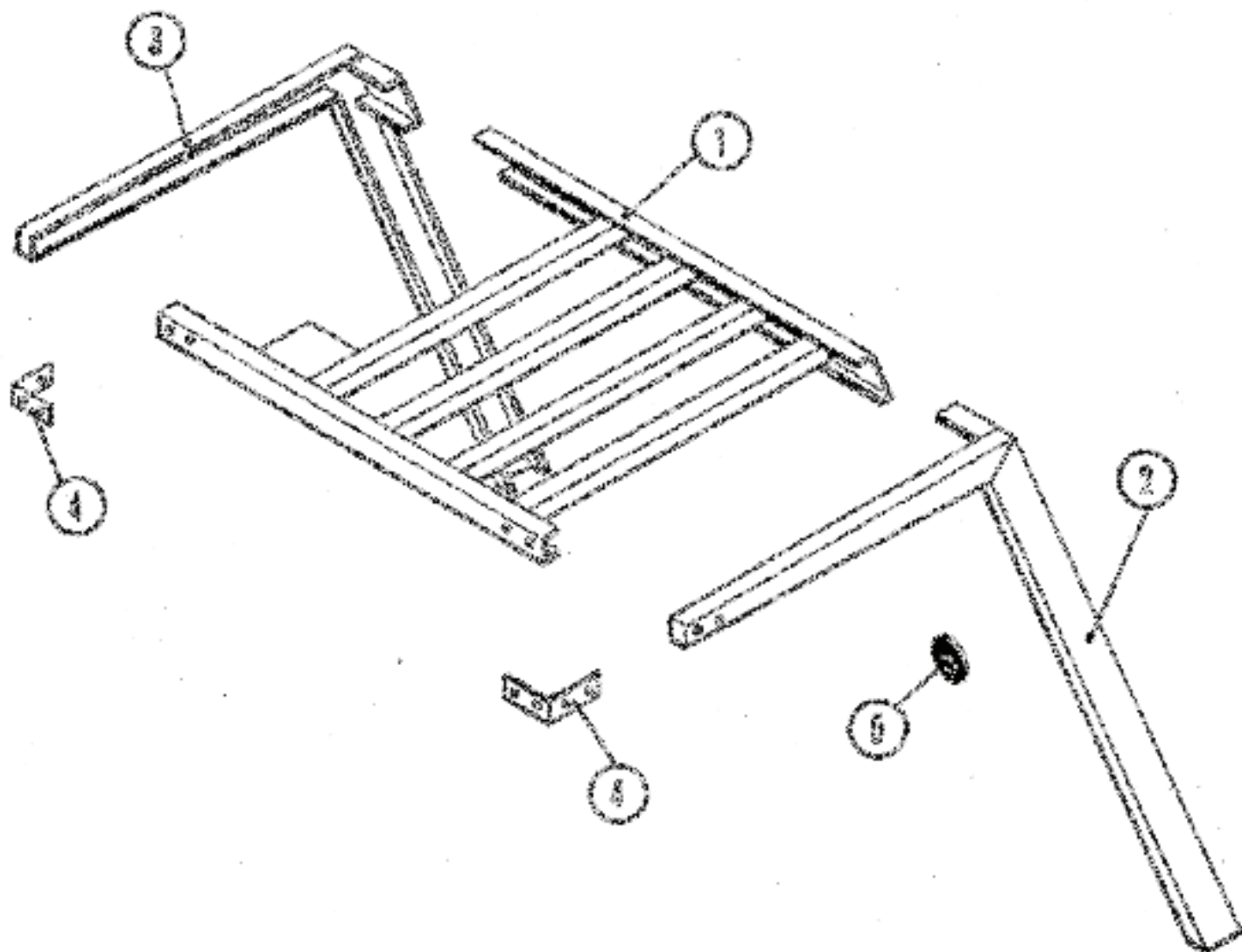
ITEM NUMBER	PART NUMBER	DESCRIPTION
1	300430	Engine - Diesel Kubota
2	301085	Mnt - Engine Fit Diesel Kubota
3	301083	Mnt - Engine F/W Fit Diesel Kubota
4	301261	Mnt - Engine F/W Fit Diesel Kubota
5	301134	Assembly - Pump Mfg Plate Kubota
6	303016	Assembly - Pump V/D & Act Comp
7	303008	Hose - Fuel Return Line Kubota
8	303006	Tube - Fuel Return Line Diesel
9	303084	Mnt - Isolation
10	302901	Pulley - Engine Kubota
11	302900	Spacer - Fan
12	302907	Bkt - Imp Adj Kubota
13	302904	Sender - Temp Diesel
14	303347	Sender - Oil Pressure
15	301720	Fig - 90° El 1/2" NPT
16	303014	Hose - Charbonne Vent Kubota
17	303011	Assembly - Bellcrank Diesel Kubota
18	302703	Assembly - Bellcrank Mnt Kubota
19	302780	Assembly - Bellcrank Plate Kubota
20	403175	Bag - Fiberglass .551 ID x 1.00 OD
21	300330	Stems - Sq
22	300430	Bushing - Sulf - Lub .499 ID x .504 OD
23	302790	Rod - Throttle Long Kubota
24	303159	Assembly - Ball Joint 1/4 - 28
25	303340	Assembly - Throttle Lever Diesel
26	300563	Knob - Ball 1.00 Diameter
27	301427	Cable - Imp & Stop Diesel
28	302905	Fitting - Oil Pan Drain Kubota
29	403150	Fitting - 90° El 1/2" Tube to 3/4" NPT
30	303013	Hose - Oil Drain Kubota
31	403164	Fig - Pipe Plug 3/4" NPT Gasket
32	302906	Spring - Throttle Return
33	302791	Pin - Throttle Short Kubota
34	301469	Assembly - Ball Joint 10-32
35	302720	Adapter - Pump Drive
36	303056	Assembly - Drive Sprocket Cummins



CAB

ITEM NUMBER	PART NUMBER	DESCRIPTION
1	302916	Assy - Cab Frame
2	302908	Assy - Door Cab
3	302877	Assy - Hinge
4	302875	Spacer - Cab Option
5	302857	Striker - Latch Cab
6	302882	Plate - Cab Filler
7	302895	Insulation Cab Door
8	302888	Insulation - Cab Roof
9	302887	Insulation - Cab Door
10	302919	Seal - Cab Door
11	302922	Seal - Cab Door Post
12	302923	Seal - Cab - Bottom Front
13	302924	Seal - Cab Bottom Left Hand
14	302925	Seal - Cab Bottom Rear
15	302928	Seal - Cab Filler Plate
16	302928	Gasket - Frame Short
17	302929	Seal - Cab Foot Plate
18	302927	Gasket - Cab Frame
19	302482	Bumper - Seat Mount
20	300465	Mount - Isolation
21	302901	Latch - Cab
22	302932	Bolt - Cab Latch
23	303152	Plate - Cab Light Cover
24	303153	Plate - Cab Presturizer
25	303141	Gasket - Cab Frame Lintel
26	303293	Bracket - Sup Sub Seal Mount

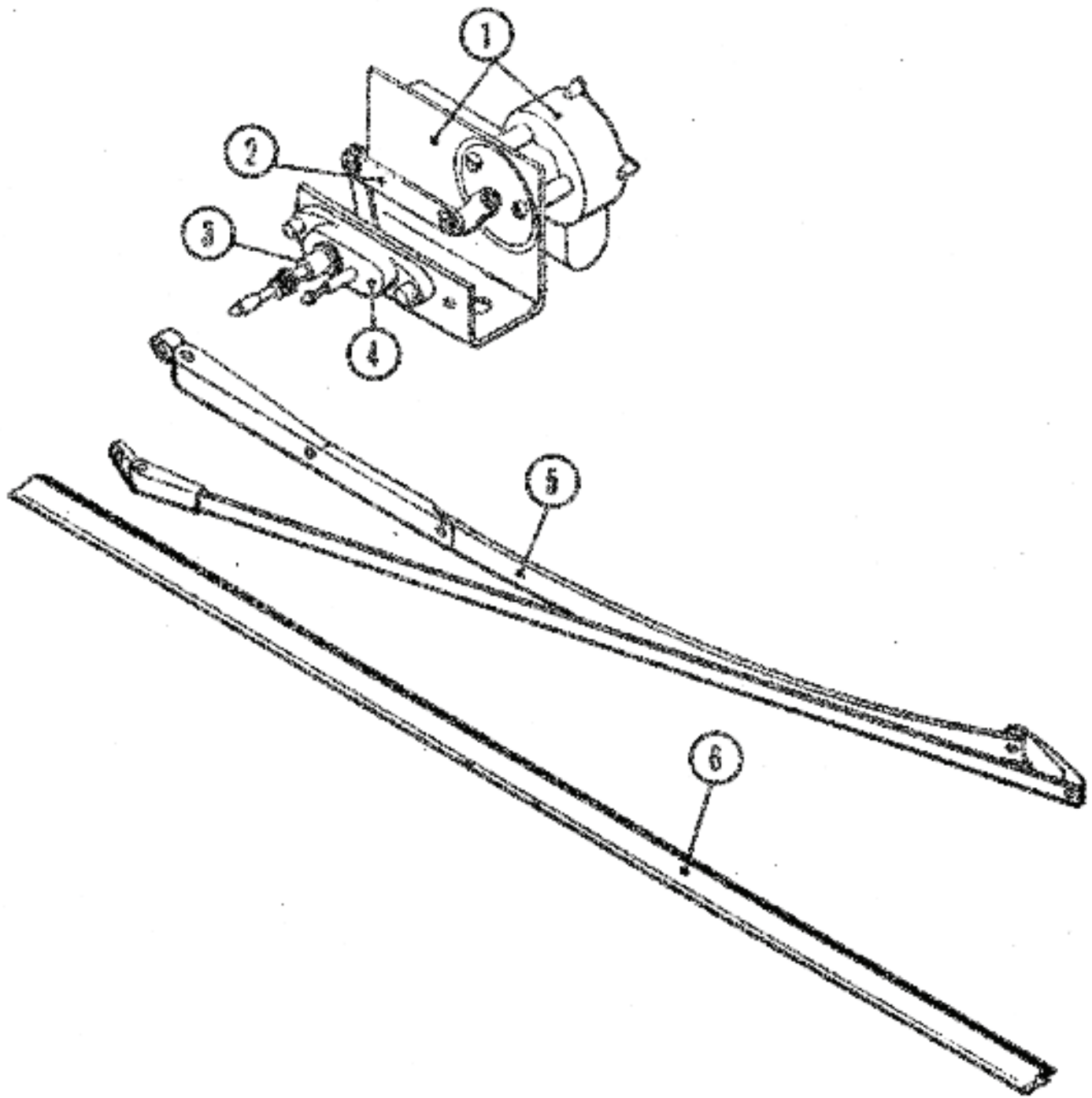
*When no number appears in this column, the parts number for the 75 Series is the same as that for the 85 Series.



OVERHEAD GUARD

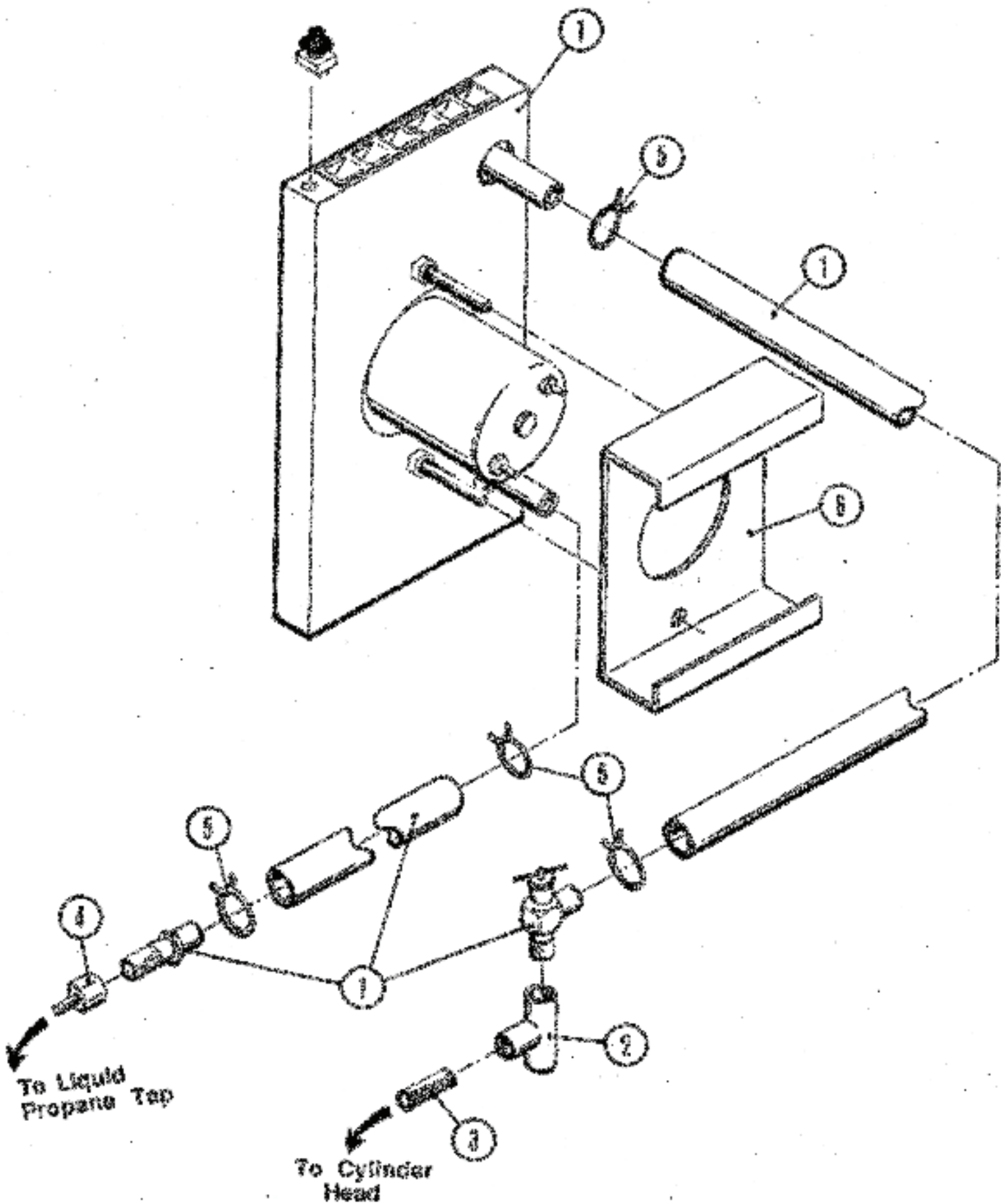
ITEM NUMBER	PART NUMBER		DESCRIPTION
	Series 88	Series 78*	
1	300785	300784	Assembly - Top Overhead Guard Prid
2	300763		Assembly - Side RH Overhead Guard Prid
3	300762		Assembly - Side LH Overhead Guard Prid
4	302708		Bracket Corner - Overhead Guard Prid
5	406203		Washer - Neoprene .41 ID x 2.00 OD

*When no number appears in this column, the parts number for the 78 Series is the same as that for the 88 Series.



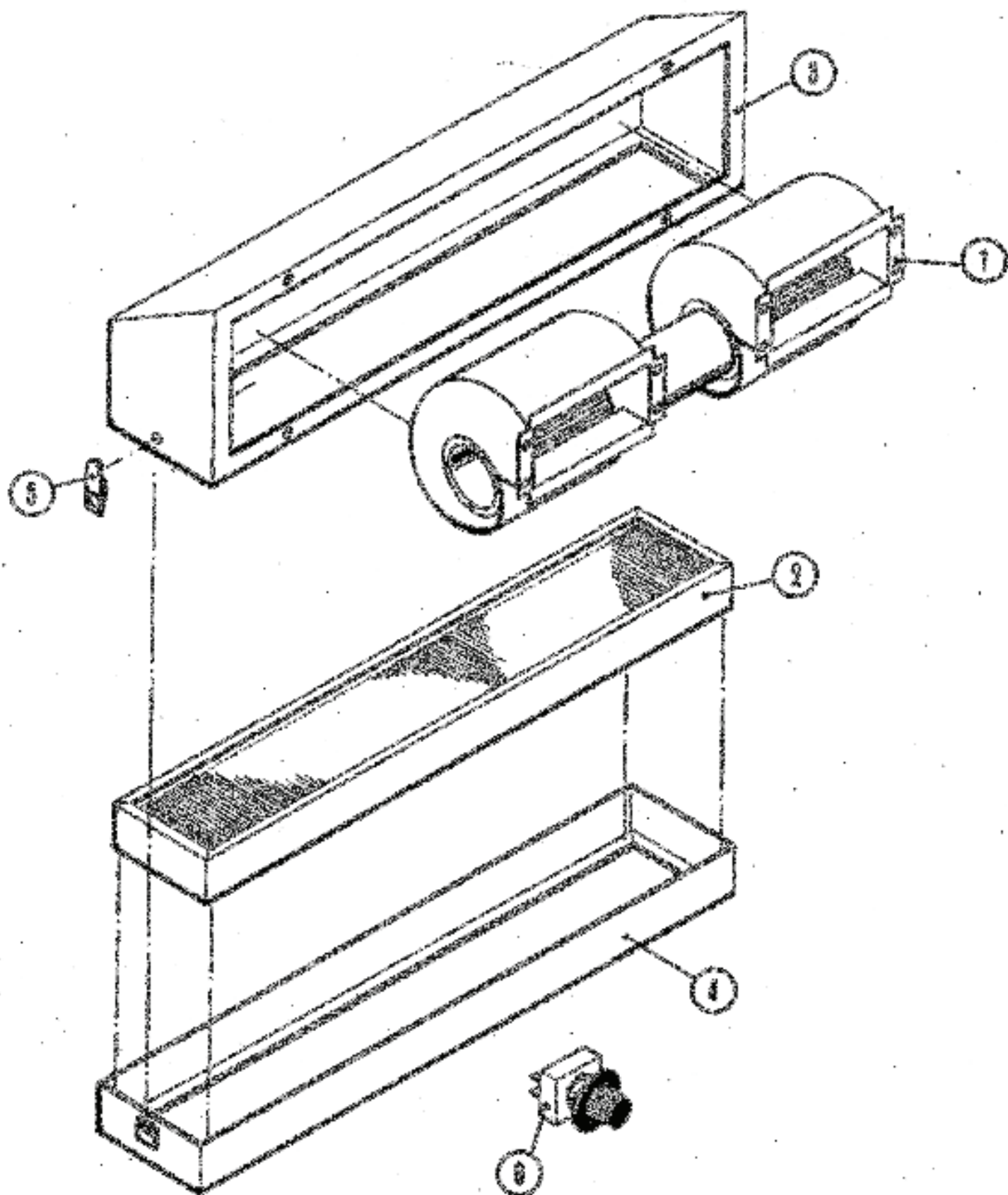
WINDSHIELD WIPER

ITEM NUMBER	PART NUMBER	DESCRIPTION
1	303172	Kit - Wiper Motor
2	303173	Arm - Wiper Drive
3	303174	Shaft - Wiper Pivot
4	303175	Kit - Pantograph Arm Adaptor
5	303175	Arm - Wiper Fixed Length Pantograph
6	303177	Blade - Wiper Flat



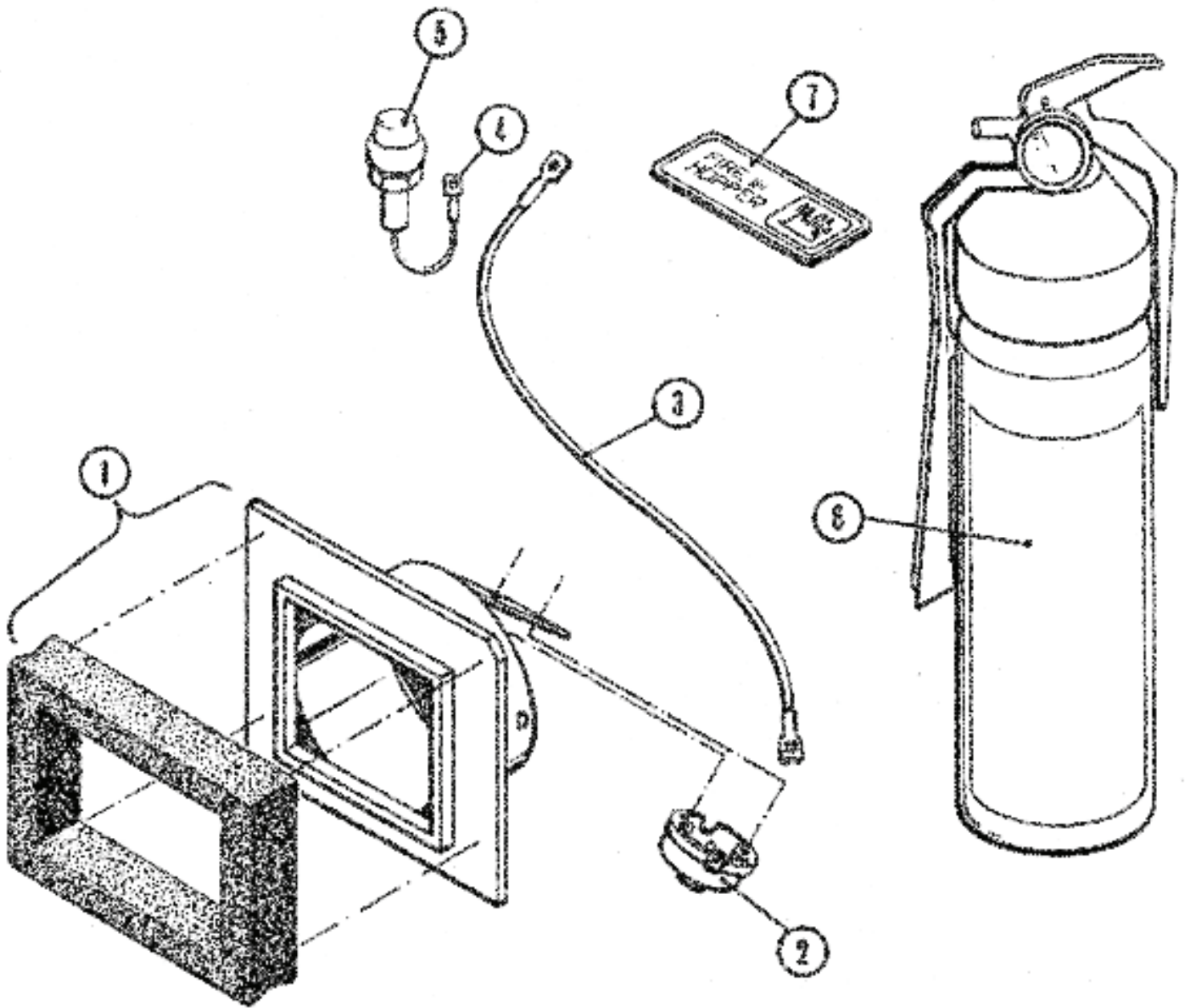
HEATER/DEFROSTER

ITEM NUMBER	PART NUMBER	DESCRIPTION
1	302435	Heater Cab Option
2	303303	Fig - Tee 3/8 NPT
3	303304	Fig- Nipple 3/8
4	303302	Fig- Reducer 3/8 NPT x 1/4 NPT
5	302144	Clamp - Hose #6
6	303251	Bracket - Heater Mnt



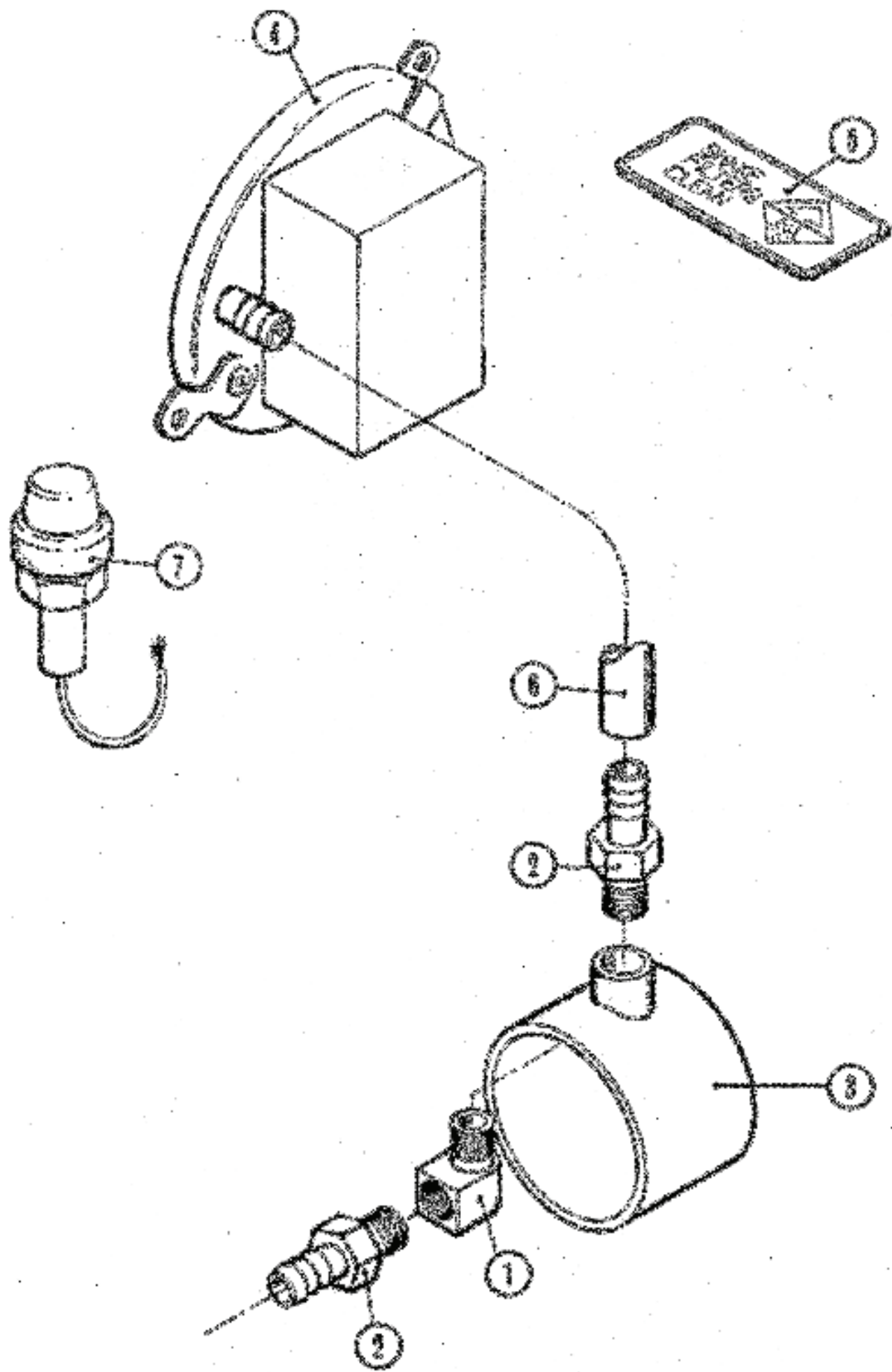
PRESSURIZER

ITEM NUMBER	PART NUMBER	DESCRIPTION
1	302934	Pressurizer - Cab
2	302938	Filter - Pressurizer
3	303509	Assembly - Housing Cab Pressurizer
4	303512	Assembly - Filter Retainer Cab Pressurizer
5	303513	Latch - Cab Pressurizer
6	303072	Switch - 3 - Speed



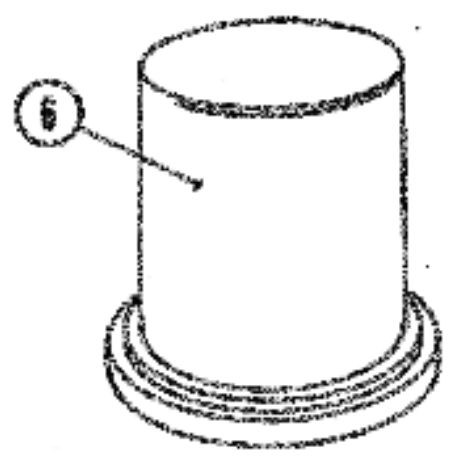
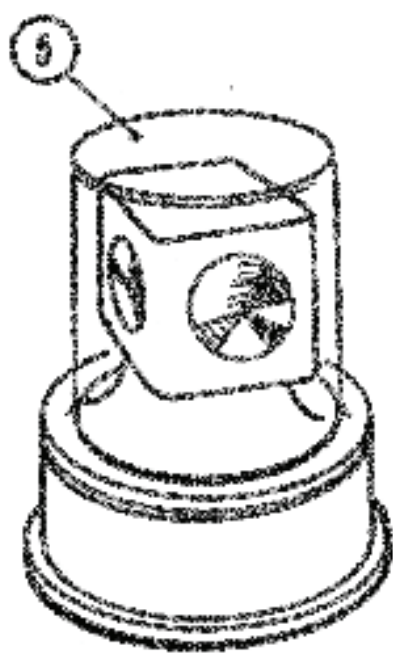
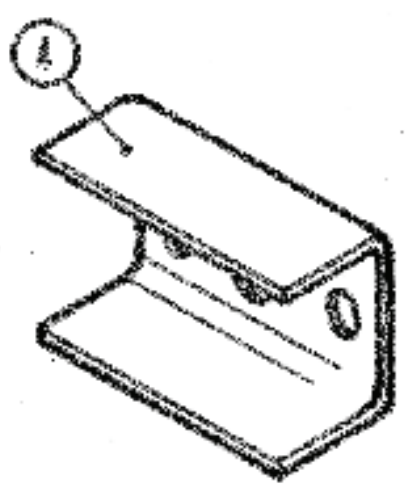
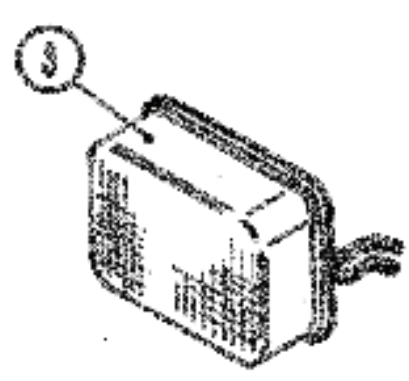
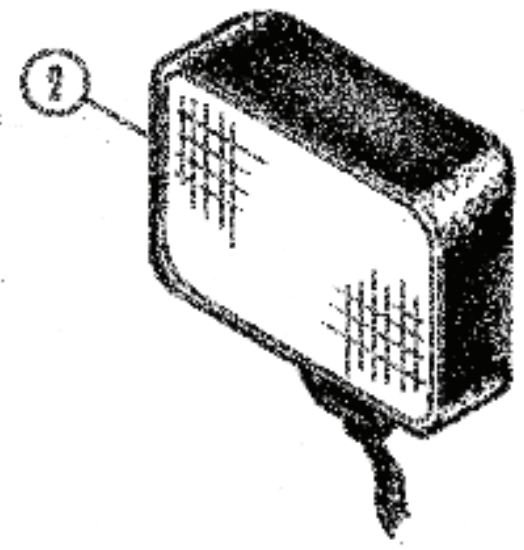
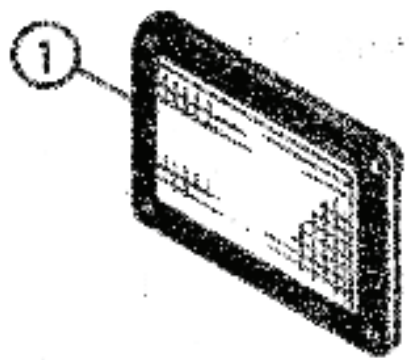
HOPPER FIRE INDICATOR

ITEM NUMBER	PART NUMBER	DESCRIPTION
1	303083	Assy - Gask Mnt Fire Sensor
2	403003	Sensor - Fire
3	303580	Kit - Hopper Fire Warning Wiring
4	302482	Terminal - Male Snap Plug
5	301553	Light - Trash Relocator
6	302769	Extinguisher - Fire
7	302521	Decal - Fire Option



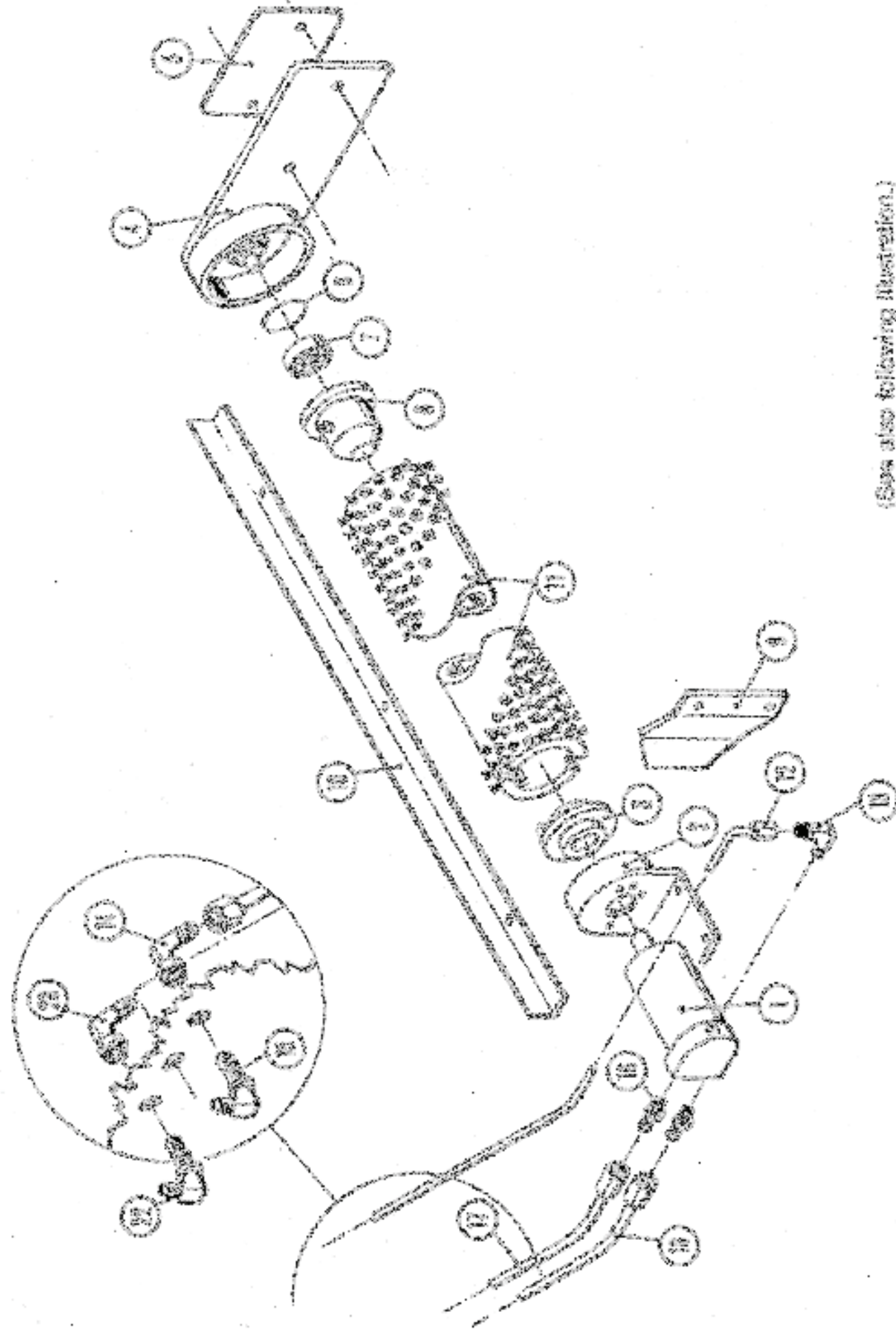
CLOGGED FILTER INDICATOR

ITEM NUMBER	PART NUMBER	DESCRIPTION
1	400260	Flg - 90° El 1/4 NPT x 1/4 NPT
2	400261	Flg - Hose Barb 3/8 NPT x 5/16 Hose
3	303515	Assembly - Clogged Filter Mount
4	303327	Vacuum - Switch
5	302518	Decal - Filter (Dirty)
6	303516	Hose - Clogged Filter
7	301553	Light - RTR



LIGHT OPTIONS

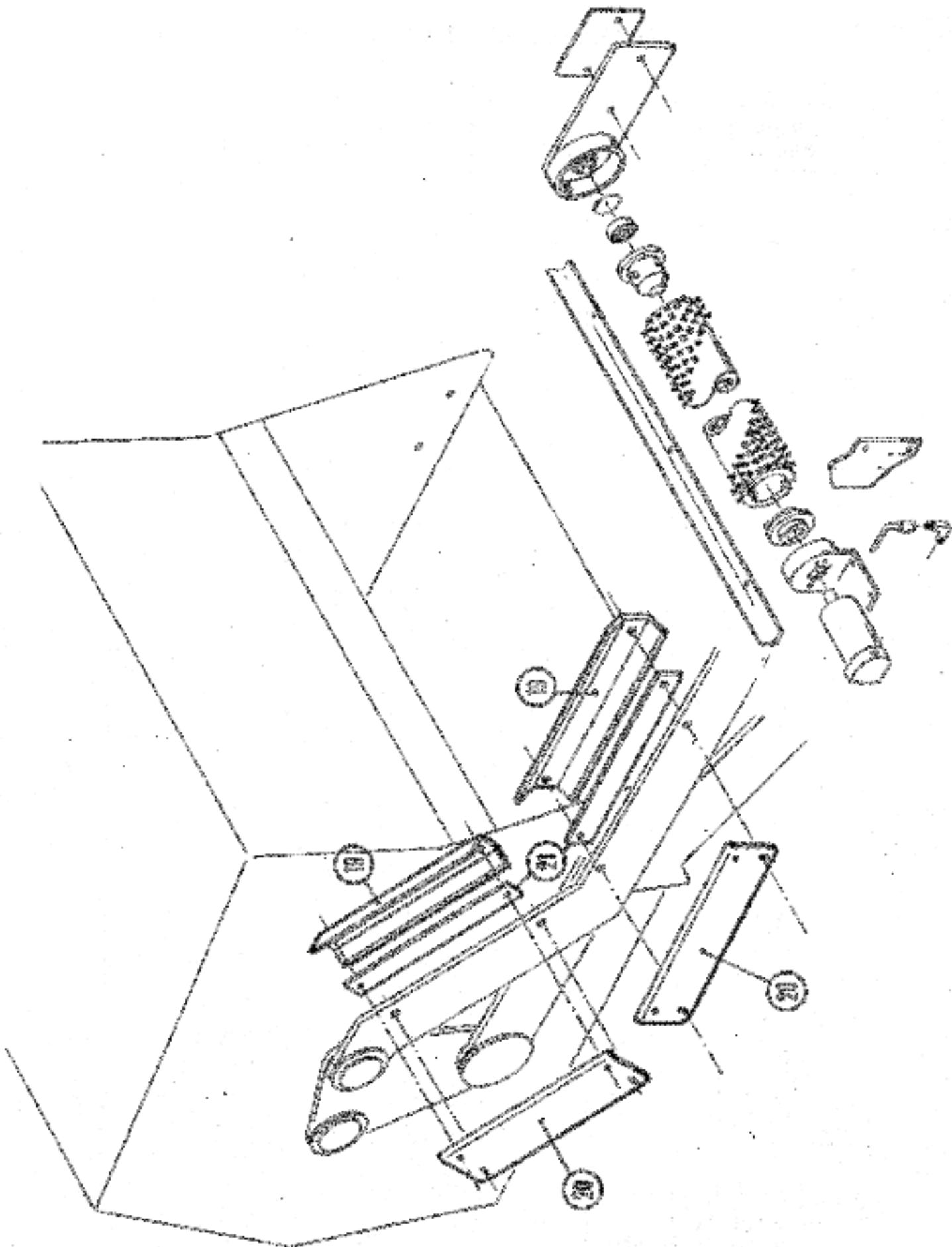
ITEM NUMBER	PART NUMBER	DESCRIPTION
1	301359	Headlight Flush Mount
2	301360	Headlight Stud Mount
3	303204	Light Tail/Combination
4	303206	Bracket Tail Light Guard
5	302654 302626 301347	Light Emergency Rotating Amber Light Emergency Rotating Blue Light Emergency Rotating Red
6	301816 302627 302628 302630 302629 301817	Light Emergency Flasher Red Light Emergency Flasher Amber Light Emergency Flasher Blue Light Safety Blue Strobe Light Safety Red Strobe Light Safety Amber Strobe



(See also following illustration.)

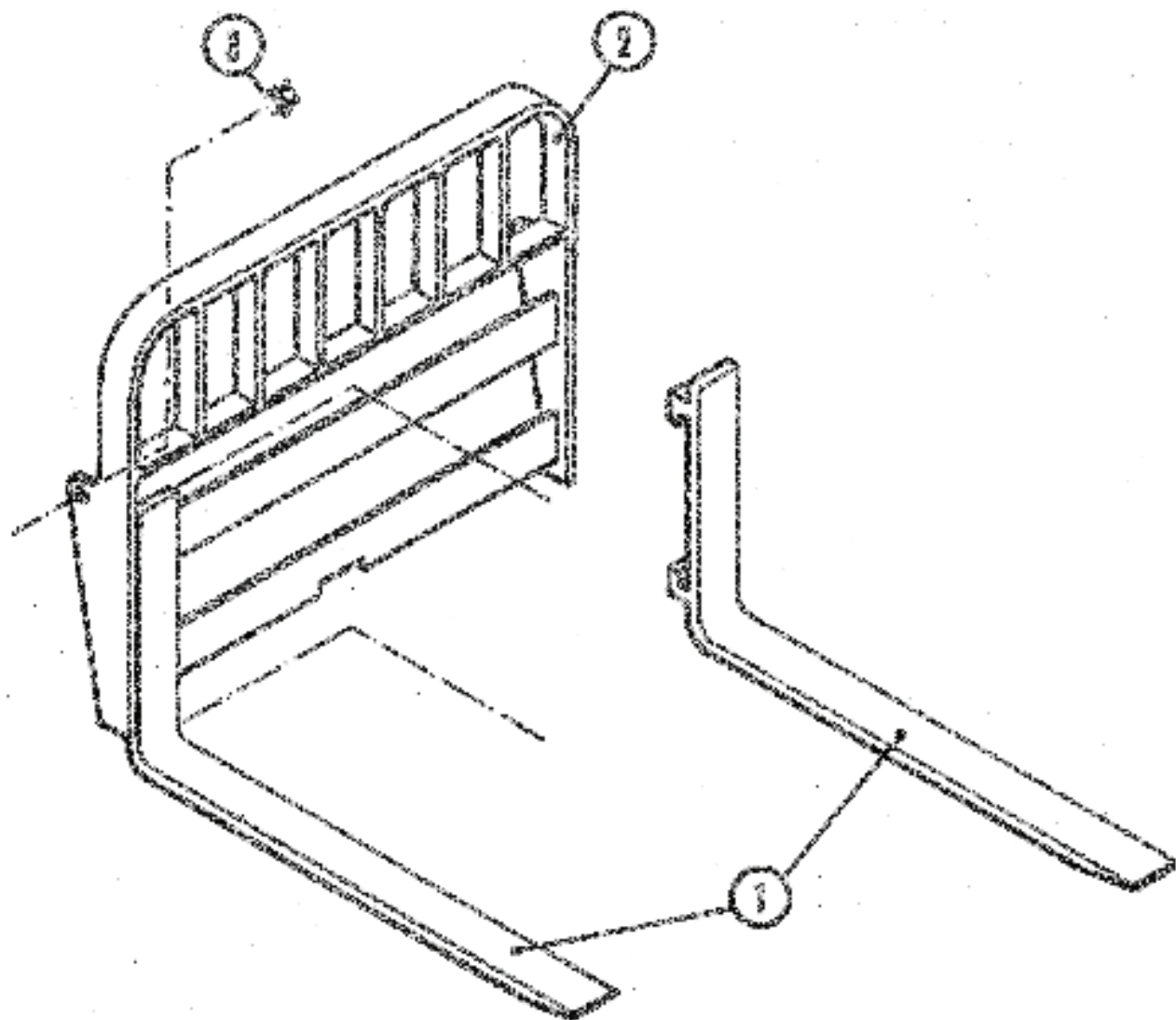
POWER PACKER HIGH DUMP ASSEMBLY

ITEM NUMBER	PART NUMBER		DESCRIPTION
	Series 56	Series 76	
1	303041		Motor - Hydraulic Power Packer
2	303042		Assembly - Drive Nut Power Packer
3	303043		Assembly - Drive Hub
4	303044		Assembly - Idler Nut
5	303046		Spacer - Idler Nut
6	303048		Idler - Power Packer
7	303058		Bearing - 1.57 OD x .689 ID
8	303059		Ring - Ret Int 1.575
9	303060		Guard - Motor
10	303070	303071	Guard - Boom
11	303062	303063	Boom - Power Packer
12	303061		Assembly - Case Drain Tube Complete
13	303052		Fig - 30° B3A5 - 24 to #3
14	303065		Fig - Seal of 30° #4
15	303154		Fig - 30° Bulkhead #4
16	303050		Fig - STR1818 - 18 to #6
17	303162		Assembly - Inlet Tube Hydraulic Motor Power Packer
18	303163		Assembly - Outlet Tube Hydraulic Motor Power Packer
19	301711		Clip - Hydraulic Hose Frit
20	303170		End - Hyd Hose Power Packer
21	303171		Bar - Hydraulic Hose Retainer
22	303061		Fig 30° Bulkhead #6
23	303065		Fig Seal of 30° #6



POWER PACKER HIGH DUMP ASSEMBLY (cont.)

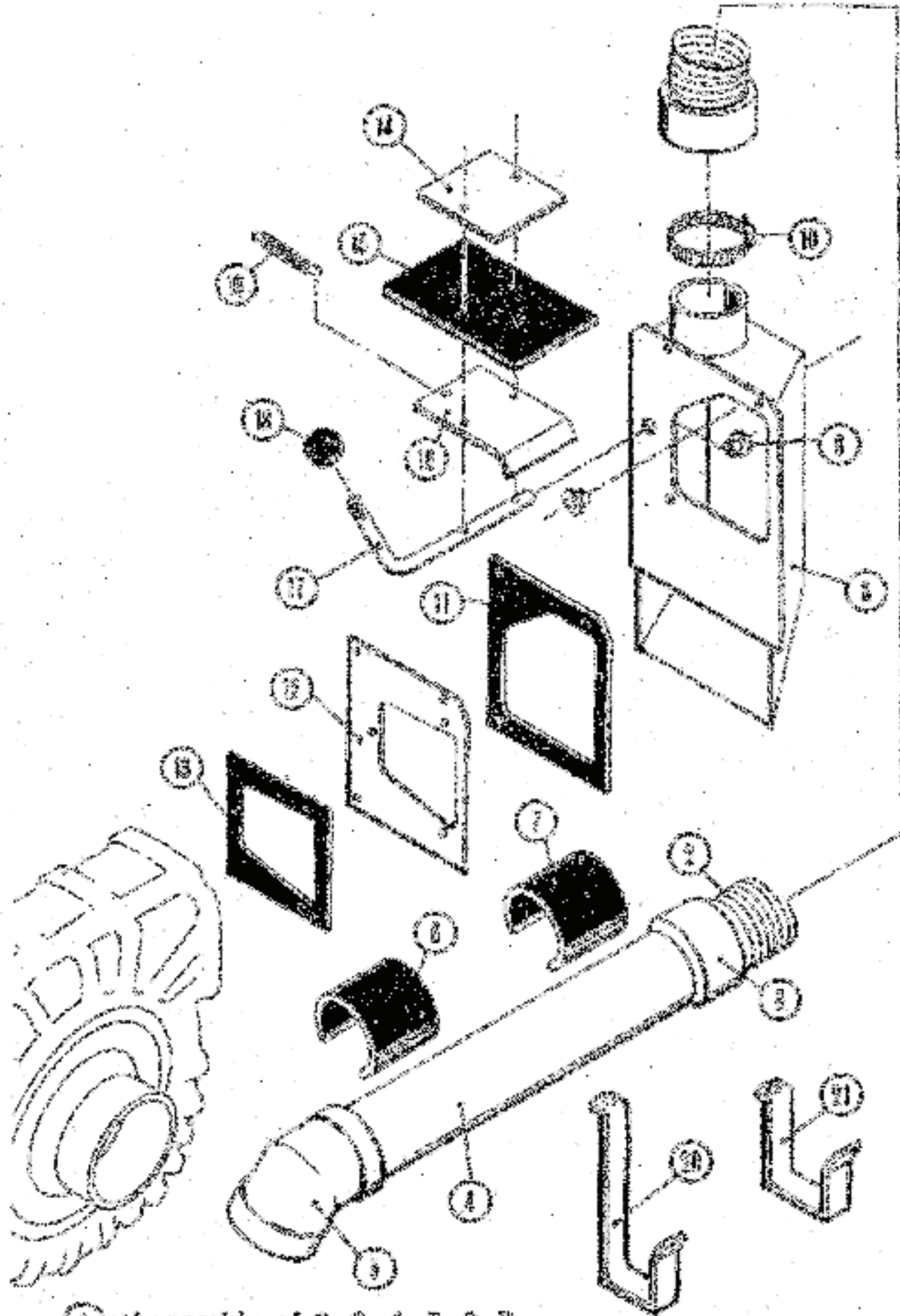
ITEM NUMBER	PART NUMBER		DESCRIPTION
	Series 88	Series 79	
1	303041		Motor - Hydraulic Power Packer
2	303042		Assembly - Drive Mnt Power Packer
3	303043		Assembly - Drive Hub
4	303044		Assembly - Idler Mnt
5	303046		Spacer - Idler Mnt
6	303055		Idler - Power Packer
7	303059		Bearing - 1.57 OD x .869 ID
8	303059		Ring - Ret Int 1.575
9	303060		Guard - Motor
10	303070	303071	Guard - Broom
11	303062	303063	Broom - Power Packer
12	303061		Assembly - Case Drain Tube Complete
13	303052		Fig - 90° Elbow - 24 to #3
14	303065		Fig - Swivel 90° #4
15	303154		Fig - 90° Bulkhead #4
16	303050		Fig - STR 9/16 - 18 to #3
17	303162		Assembly - Inlet Tube Hydraulic Motor Power Packer
18	303163		Assembly - Outlet Tube Hydraulic Motor Power Packer
19	303171		Clip - Hydraulic Hose Prod
20	303170		Brkt - Hyd Hose Power Packer
21	303171		Bar - Hydraulic Hose Retainer
22	303051		Fig 90° Bulkhead #3
23	303095		Fig Swivel 90° #3



POWERSTACK GROUP

ITEM NUMBER	PART NUMBER		DESCRIPTION
	Series 88	Series 78*	
1	301925		Assembly - Fork Lift Tire Pntd
2	301934	301941	Assembly - Fork Lift Pntd
3	301920		Retainer - Fork Lift

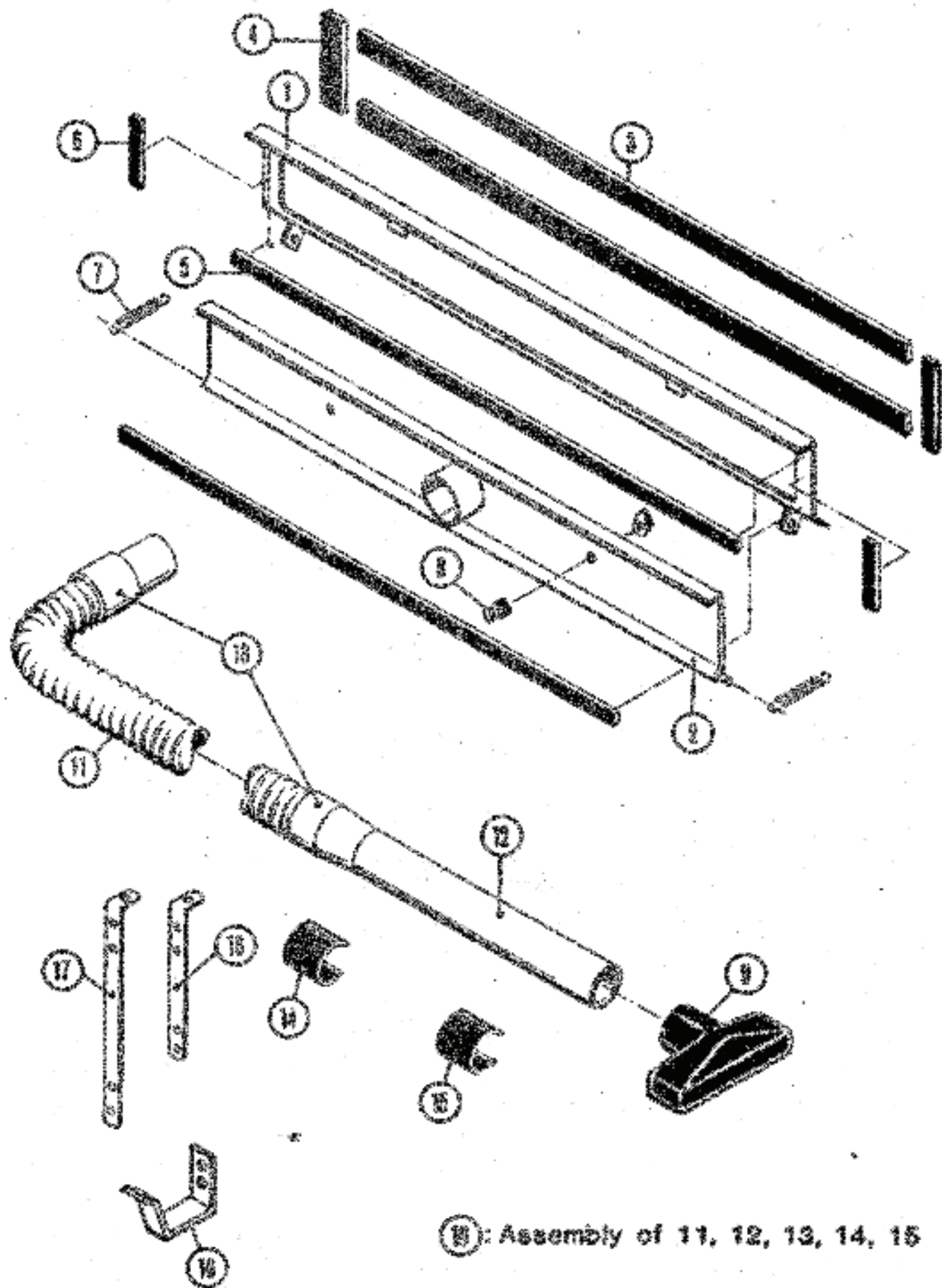
*When no numbers appear in this column, the parts number for the 78 Series is the same as that for the 88 Series.



①: Assembly of 2, 3, 4, 5, 6, 7

BLOWER OPTION

ITEM NUMBER	PART NUMBER	DESCRIPTION
1	302337	Assembly-Blower Wand
2	302329	Hose - 2 1/2" ID Tuff-Lite Blower Opt
3	302293	Cuff 2 1/2" ID Tuff-Lite Blower Opt
4	302330	Pipe - 2" Nom Diameter PVC Blower Opt
5	302331	El 45° - 2" Nom Diameter Blower Opt
6	302333	Sheet - Anti-Slip Pad Sm
7	302332	Sheet - Anti-Slip Pad Lg
8	302210	Assy - Manif Blower Prod
9	300414	Bushing - Plastic 1/4" Bore
10	300336	Clamp - Hoes 2 1/2" Nom
11	302223	Gask - Flat Plate Blower
12	302221	Plate - Flat Blower
13	302220	Gask - Blower Imp
14	302228	Plate - Gasket Flat Blower Prod
15	302225	Gask - Blower Shut-Off
16	302224	Plate - Blower Shut-Off Prod
17	301418	Rod-Hopper Shut-Off
18	300853	Knob-Ball Prod
19	302226	Spring-Extension Blower
20	302529	Bracket Hose Flat - Blower Opt Short
21	302520	Bracket Hose Flat - Blower Opt Long

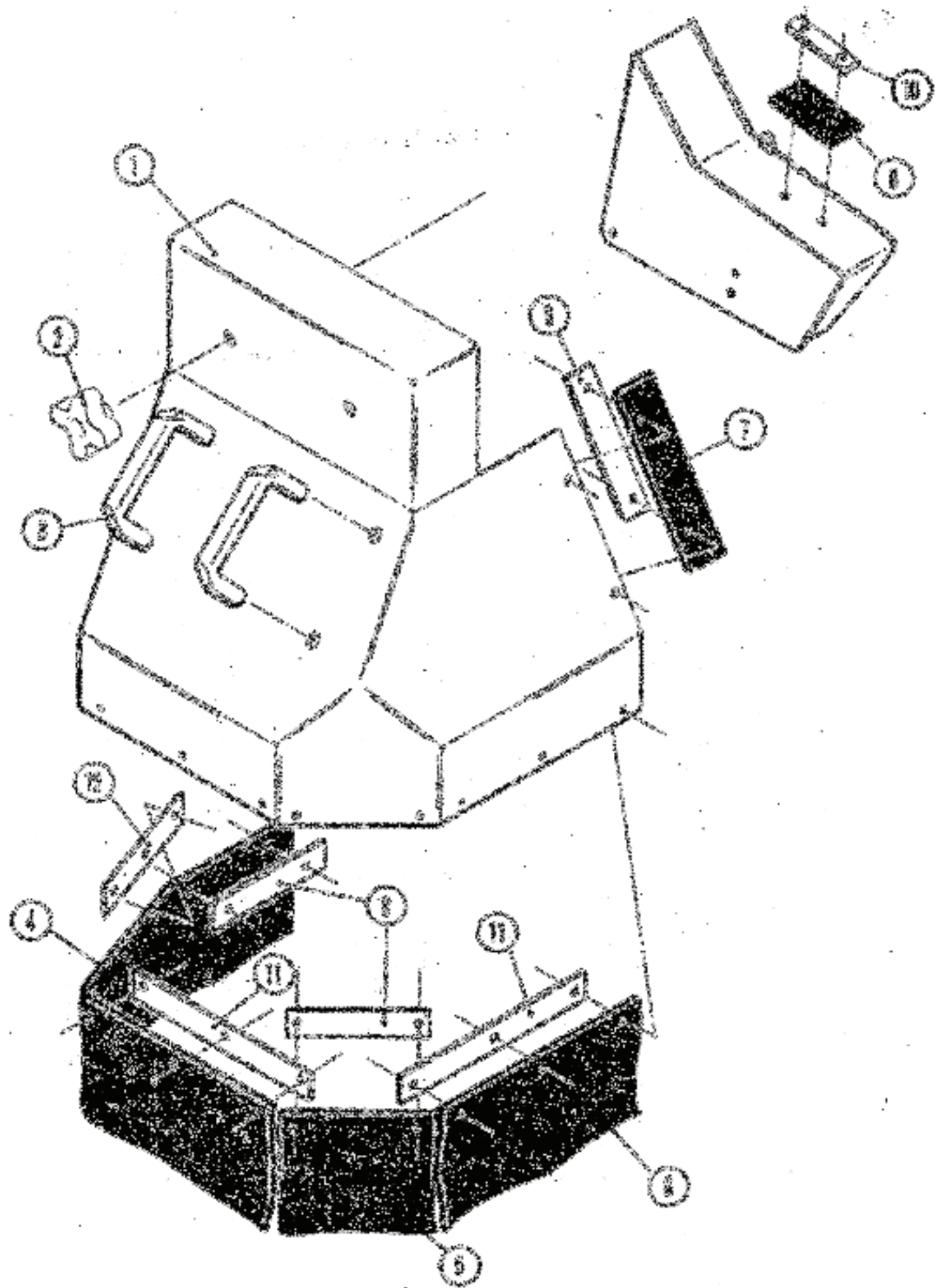


⑩: Assembly of 11, 12, 13, 14, 15

VACUUM WAND

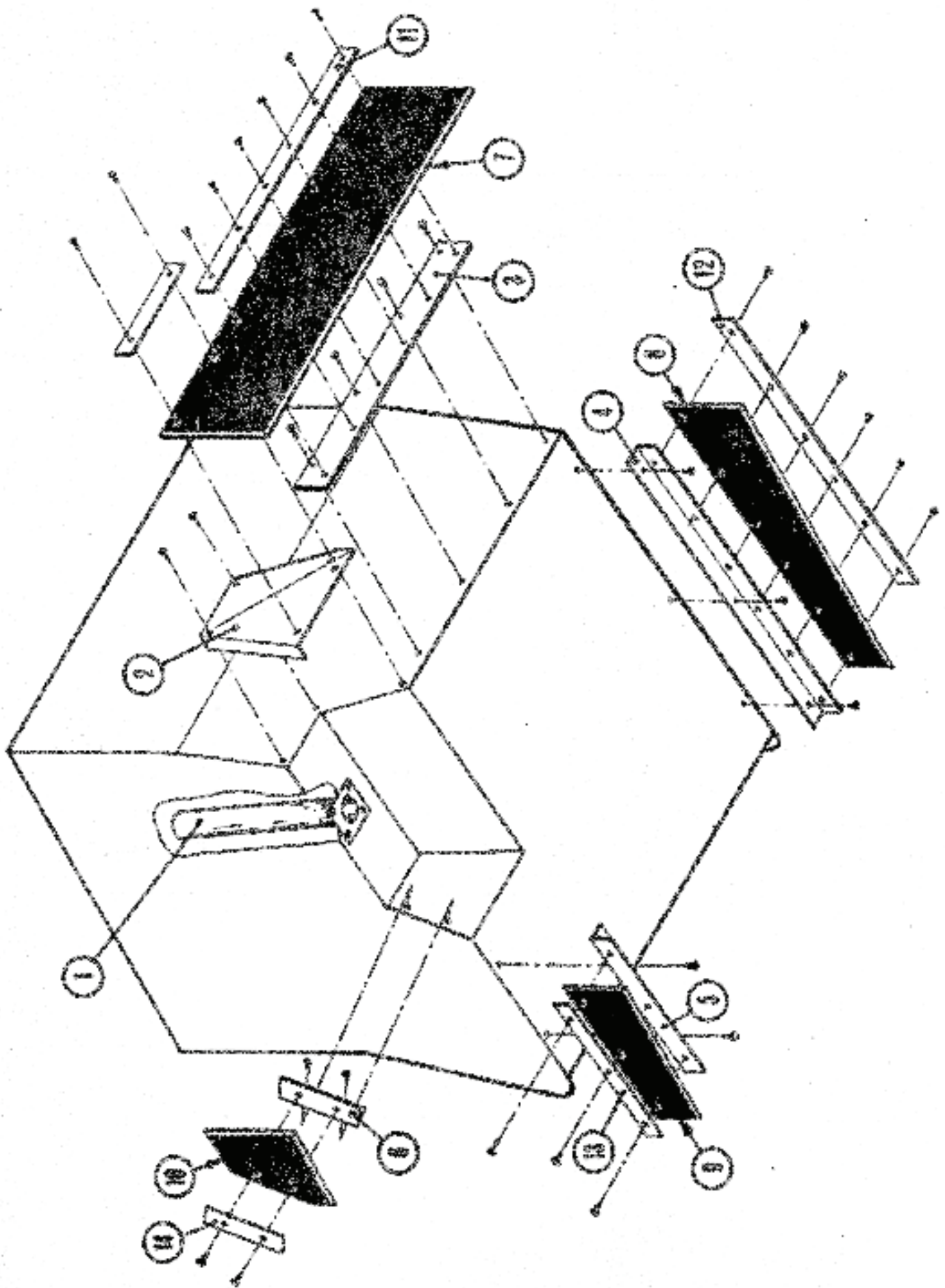
ITEM NUMBER	PART NUMBER		DESCRIPTION
	Series 65	Series 76*	
1	302300	302418	Assembly - Mount Vacuum Wand Prod
2	302305	302418	Assembly - Door Vacuum Wand Prod
3	302442	302450	Gasket - Vacuum Wand Opt
4	303130		Gasket - Vacuum Wand Mtd Sht
5	302318	302415	Gasket - Door Vacuum Wand Long
6	302316		Gasket - Door Vacuum Wand Short
7	302443		Spj - Vacuum Wand Opt
8	302324		Latch - Vacuum Wand Opt
9	303129		Nozzle - Vacuum Wand Opt
10	302336	302451	Assembly - Vacuum Wand Opt
11	302304	302329	Hose - 2 1/2" ID Tuff-Lite
12	302305		Pipe - 2" Nom Dia PVC
13	302303		Cuff - 2 1/2" ID Tuff-Lite
14	302392		Sheet - Anti-Slip Pad Long
15	302393		Sheet - Anti-Slip Pad Short
16	302314		Bracket Hose Retainer
17	305433		Bar Hose Retainer Long
18	305434		Bar Hose Retainer Short

*When no number appears in this column, the part number for the 76 Series is the same as that for the 65 Series.



VACUUMIZED CURB BROOM (HOOD DETAIL)

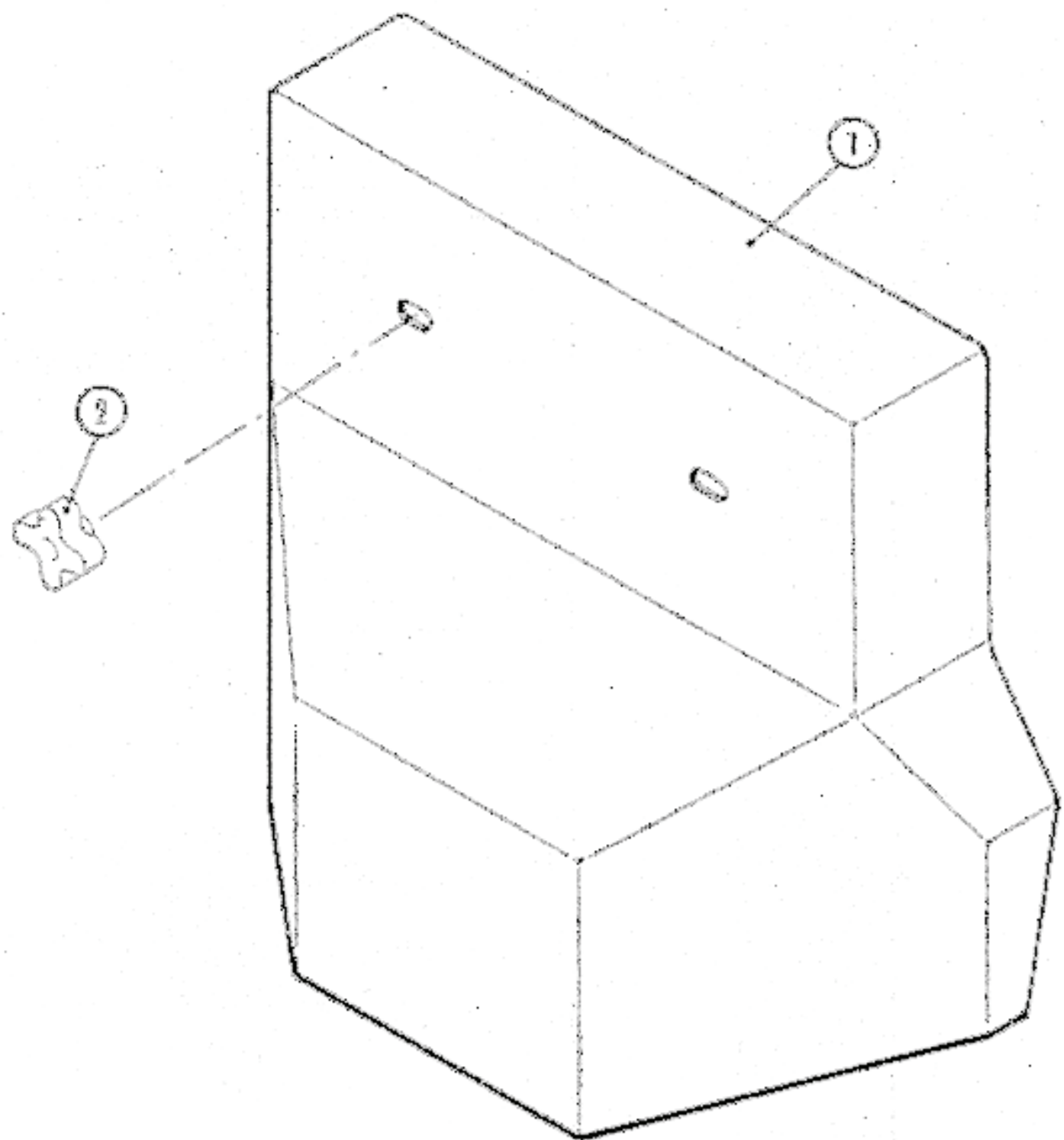
ITEM NUMBER	PART NUMBER	DESCRIPTION
1	303260	Assy - VS Bm Hood Pwd
2	303179	Knob - Arm Hand
3	301297	Handles - Plastic
4	303261	Flap - VS Bm Hood
5	303263	Flap - VS Bm Hood Frt Corner
6	303262	Flap - VS Bm Hood Frt
7	303264	Flap - VS Bm Hood Top Frt
8	303265 303266	Flap - VS Bm Arm HD Flap - VS Bm Arm LD
9	303277	Strap - VS Bm Hood Pwd
10	303290 303277	Strap - VS Bm Arm Flap SFT (Low Dump Only) Strap - VS Bm Hood Pwd (High Dump Only)
11	303276	Strap - VS Bm Hood Frt & Side
12	303278	Strap - VS Bm Hood Back Cor



VACUUMIZED CURB BROOM (HOPPER DETAIL)

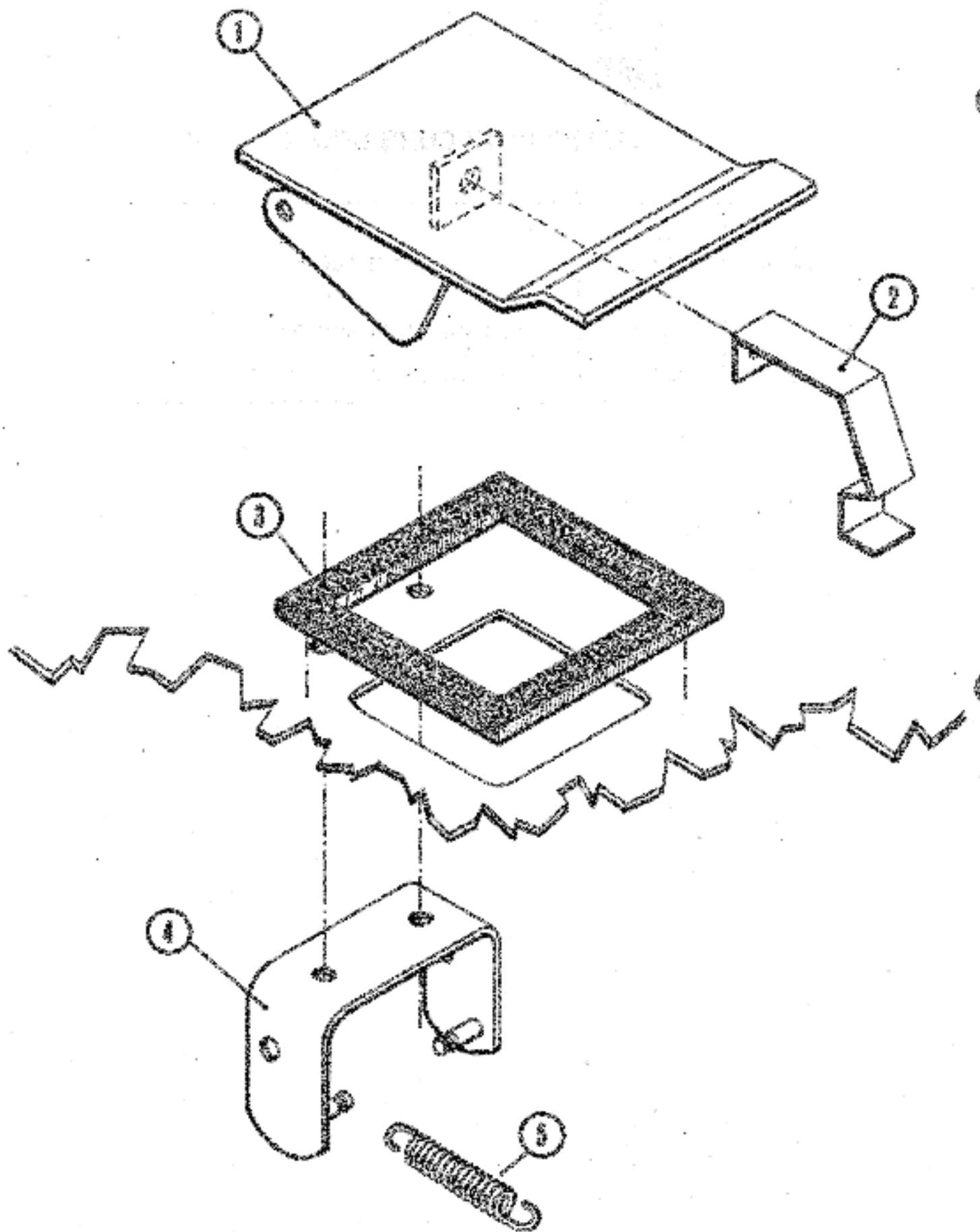
ITEM NUMBER	PART NUMBER		DESCRIPTION
	Series 63	Series 76*	
1	303205		Assembly - VS Bm Tube Hopper
2	303209		Plate - VS Bm Hopper Frt
3	303260	303257	Bar - VS Bm Hopper Frt
4	303271		Bar - VS Bm Hopper Left Side
5	303311		Bar - VS Bm Hopper Right Side (New)
	303470		Bar - VS Bm Hopper Right Side (Old)
6	303588		Bar - VS Bm Hopper Cut-Out
7	303278		Flap - VS Bm Hopper Frt
8	303279		Flap - VS Bm Hopper Left Side
9	303315		Flap - VS Bm Hopper Right Side (New)
	303280		Flap - VS Bm Hopper Right Side (Old)
10	303567		Flap - VS Bm Hopper Cut-Out
11	303272		Strap - VS Bm Hopper Frt & Left Side
		303288	Strap - VS Bm Hopper Frt
12	303272		Strap - VS Bm Hopper Frt & Left Side
13	303212		Strap - VS Bm Hopper Right Side (New)
	303274		Strap - VS Bm Hopper Right Side (Old)
14	303273		Strap - VS Bm Hopper Frt Sht

*When no number appears in this column, the parts number for the 76 Series is the same as that for the 63 Series.



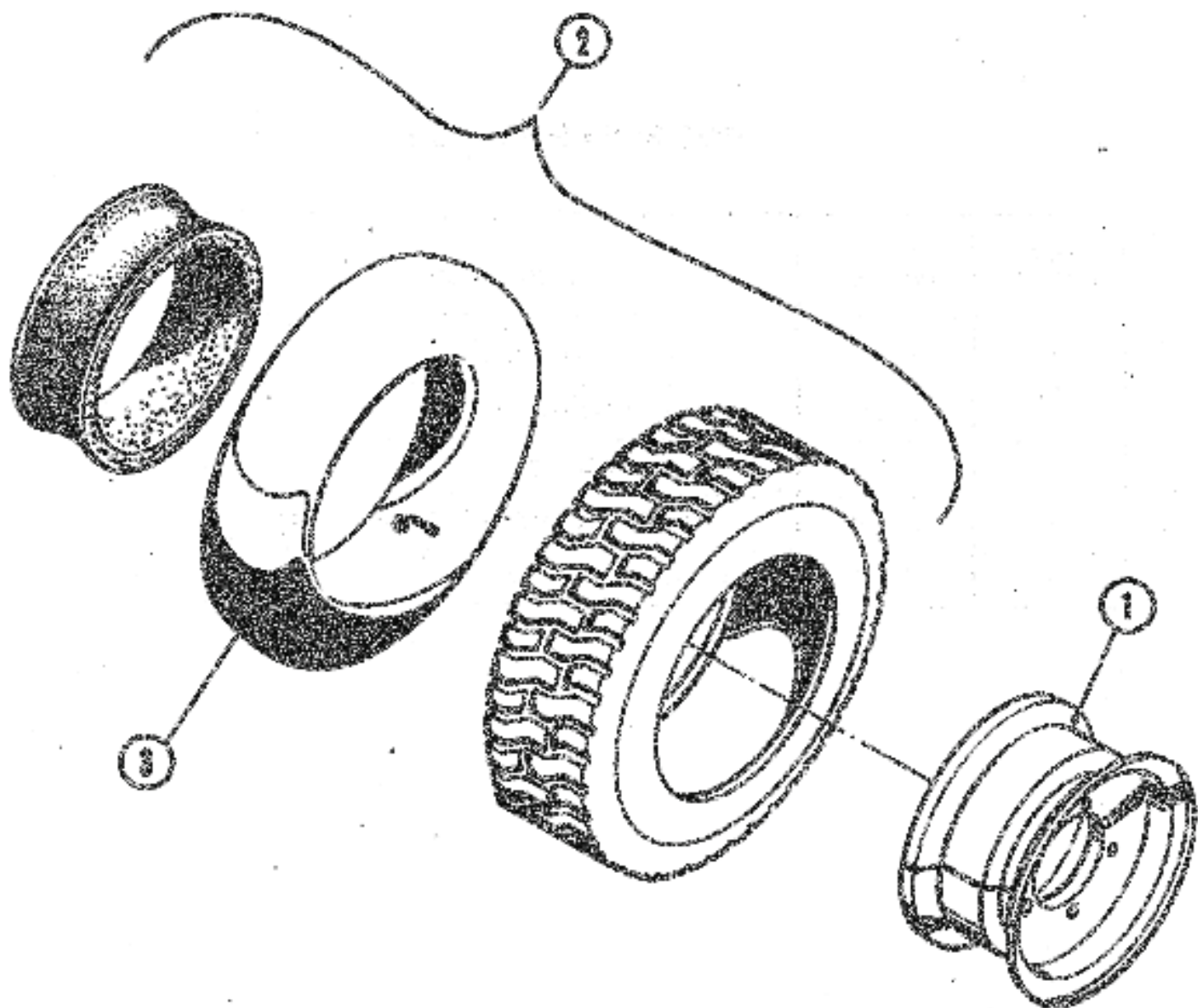
HEAVY DUTY CURB BROOM GUARD

ITEM NUMBER	PART NUMBER	DESCRIPTION
1	303119	Assembly - HD CB Guard Prtd
2	303179	Knob - Alum Hand



WET SWEEP BYPASS

ITEM NUMBER	PART NUMBER	DESCRIPTION
1	302279	Assembly - Cover W/Swp
2	302312	Latch - Wet/Sweep Prid
3	302317	Gasket - Wet/Sweep
4	302269	Assembly - Mounting Bracket Wet/Sweep Prid
5	302229	Spring - Ext Wet/Sweep



MICHELIN TIRE ASSEMBLY

ITEM NUMBER	PART NUMBER	DESCRIPTION
1	302734	Rim - Radial Tire
2	302736	Assembly - Tire Michelin Radial
3	302739	Tube - Tire Michelin (SP)

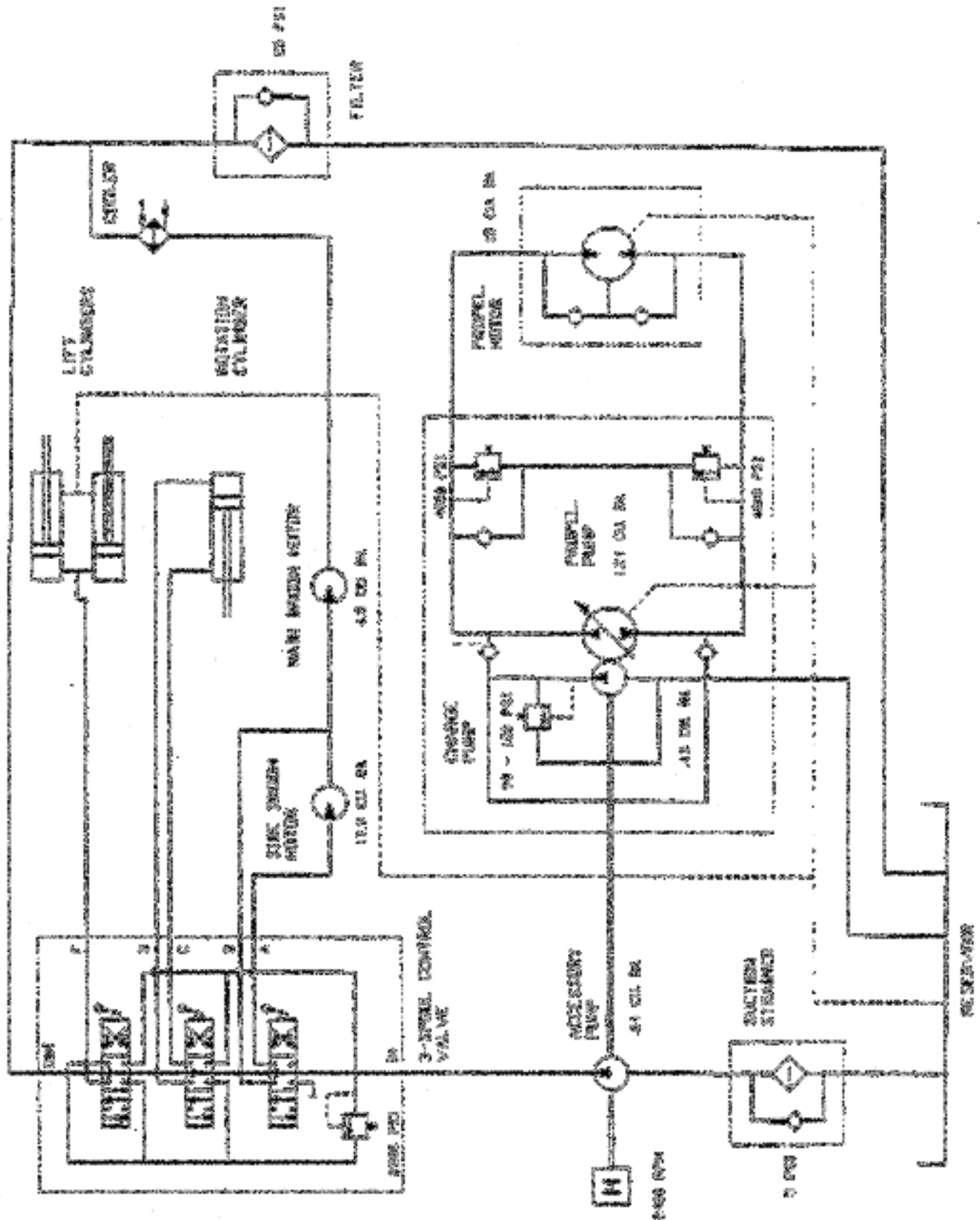


Figure 4-18. SW/30 High Dump Hydraulic Schematic

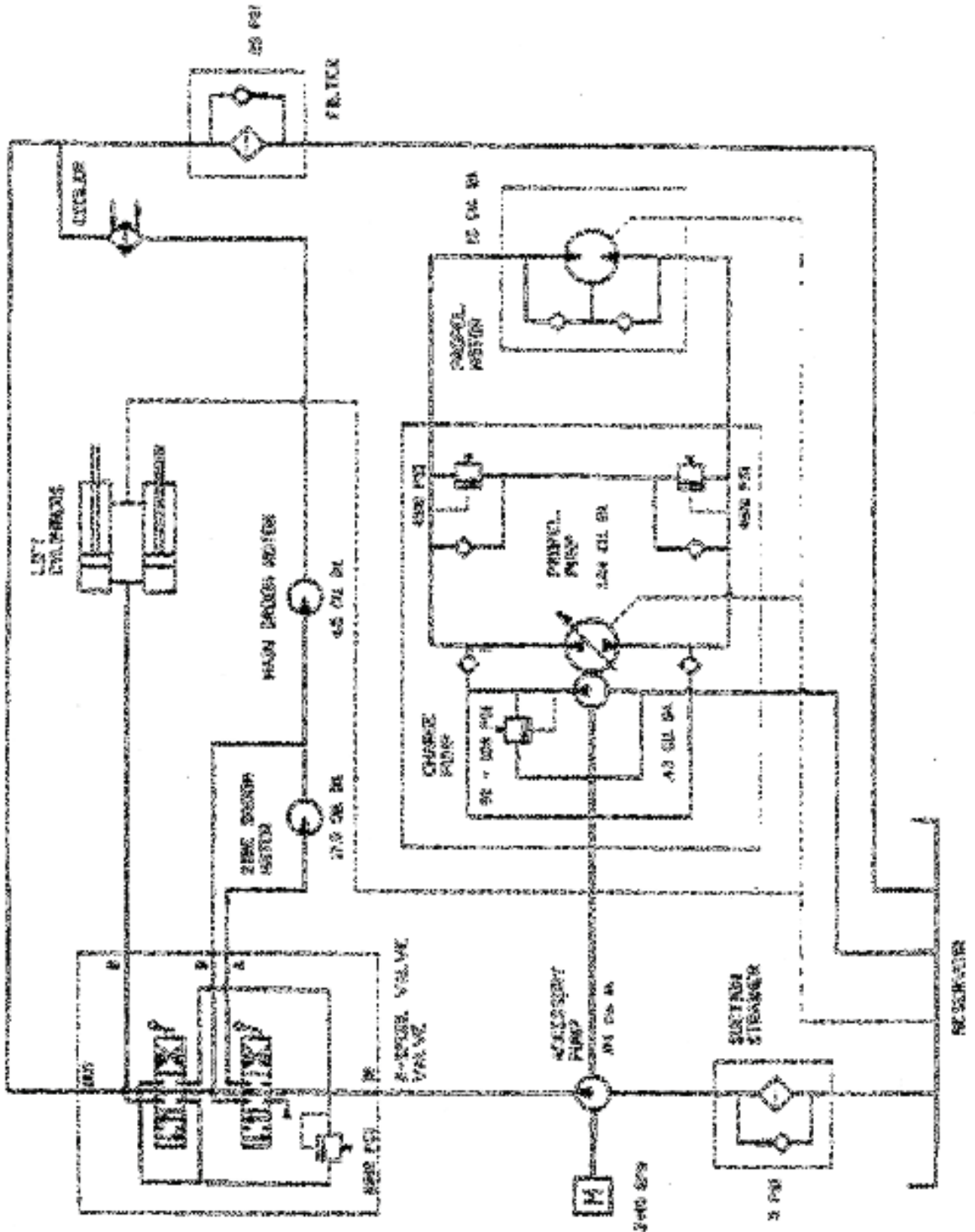


Figure 4-17. SW90 Low Dump Hydraulic Schematic

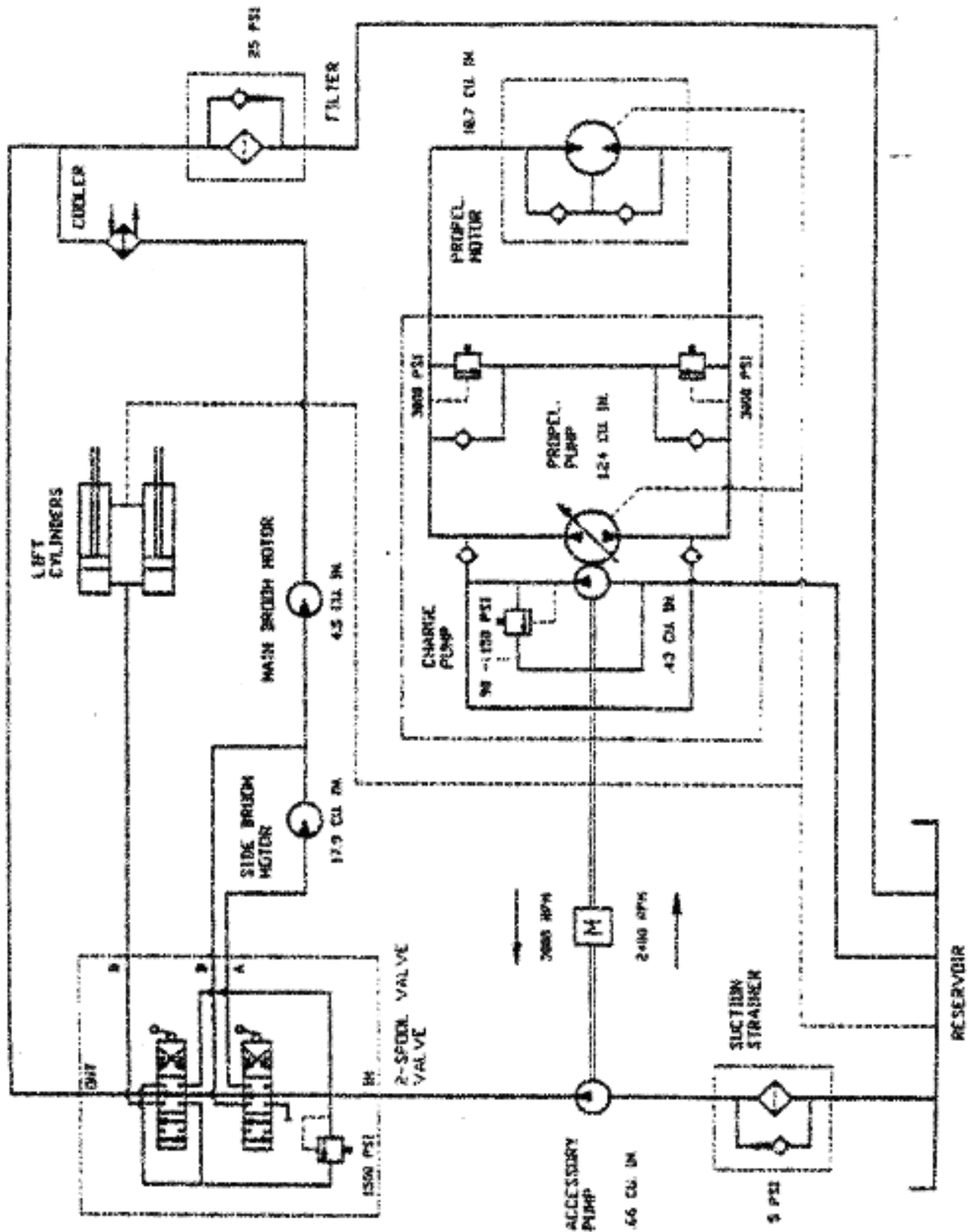


Figure 4-19. SW/80 Low Dump Hydraulic Schematic